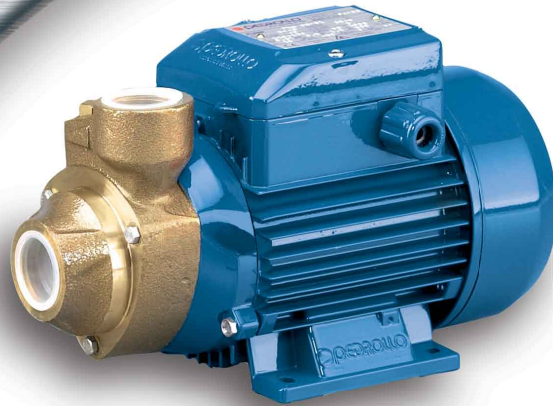


PK-Bz

turbine pumps with
peripheral impeller and
bronze pump body



RANGE OF PERFORMANCE

Capacity up to 13.2 gpm
Head up to 180 ft.

LIMITS OF USE

Liquid temperature up to + 194°F
Environment temperature up to + 104°F

CONSTRUCTION AND SAFETY STANDARDS

EN 60034-1
IEC 34-1
CEI 2-3



INSTALLATION AND USE

They are recommended for pumping clean water without abrasive particles and liquids that are chemically non aggressive to the materials from which the pump is made. **THE NON-FERROUS CONSTRUCTION GUARANTEES AGAINST RUST AND OXIDATION. THE COMPACT DESIGN AND HYDRAULIC CHARACTERISTICS SUIT INDUSTRIAL APPLICATIONS INCLUDING COOLING AND CONDITIONING SYSTEMS.**

It is recommended to install the pumps in enclosed places, or at least protected against inclement weather.

GUARANTEE 2 YEAR subject to our general terms of sale.

CONSTRUCTION CHARACTERISTICS

- **PUMP BODY:** bronze, with threaded ports.
- **MOTOR BRACKET** (patent n° 1289150) PK-Bz, PQ-Bz: aluminium with brass front insert.
- **BODY BACK-PLATE:** CP-Bz: stainless steel AISI 316.
- **IMPELLER:** PK-Bz: brass.
- **MOTOR SHAFT:** stainless steel AISI 316.
- **MECHANICAL SEAL:** ceramic - graphite - VITON.
- **ELECTRIC MOTOR:** induction motor, for continuous duty.
Single-phase: 115 V or 230 V - 60 Hz with capacitor and thermal overload protector.
Three-phase: 230/460 V - 60 Hz.
- **INSULATION:** class F. • **PROTECTION:** IP 44.

OPTIONS ON REQUEST

- special mechanical seal
- other voltages or frequency 50 Hz
- protection IP 55
- for liquids with higher temperatures
- for environments with higher temperatures

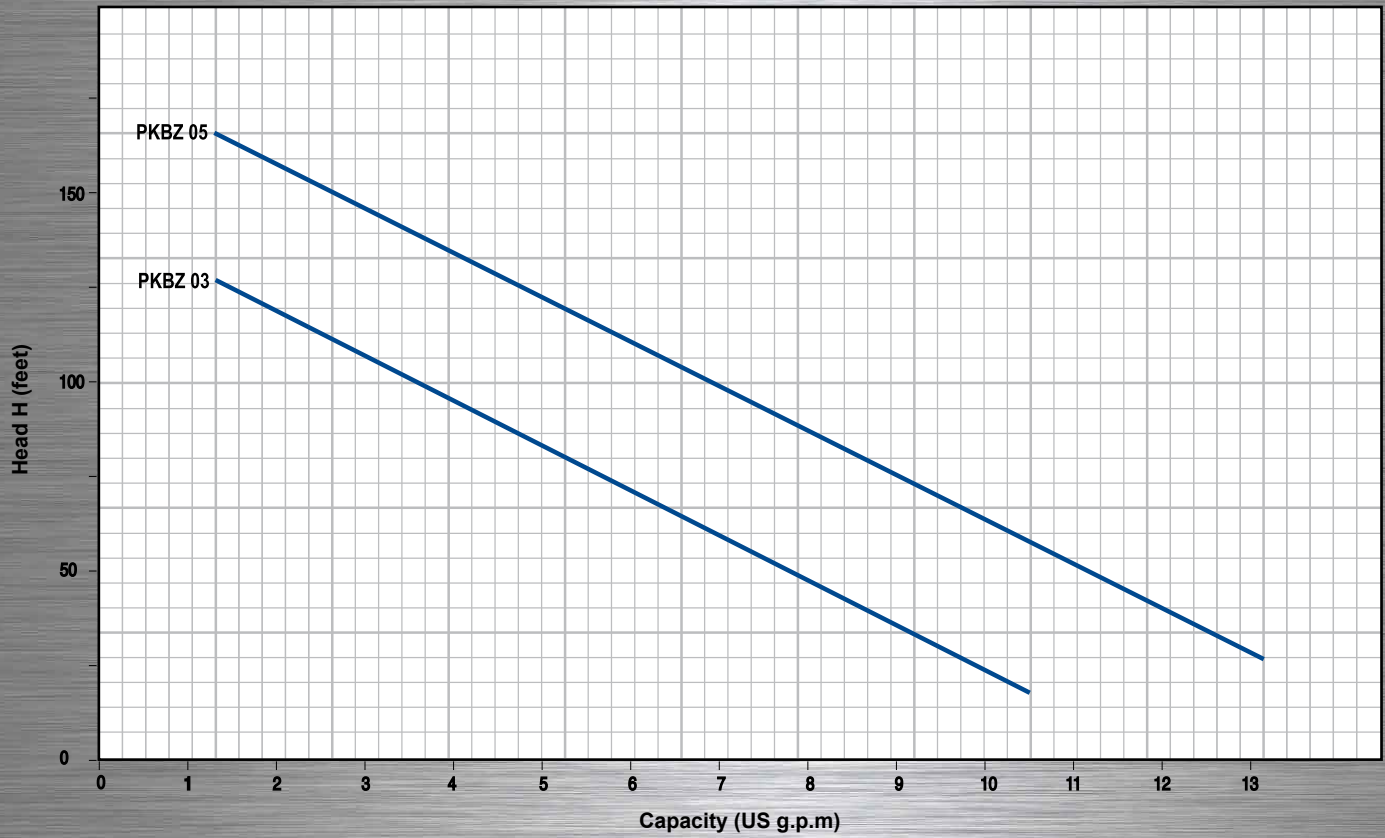


tech.support (954) 474 9090

www.pedrollousa.com

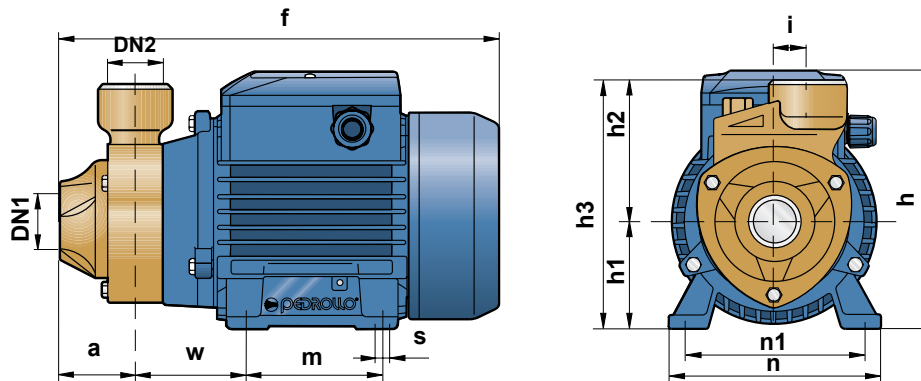
customerservice@pedrollousa.com

CURVES AND PERFORMANCE DATA



MODEL		HP	CAPACITY GPM	H Feet											
1 PH	3 PH			0	1.3	2.6	3.9	5.2	6.6	7.9	9.2	10.5	13.2		
PKBZ 03	PKBZ 03	0.33	H Feet	131	124	110	95	78	64	49	32	16			
PKBZ 05	PKBZ 05			181	164	149	133	118	101	88	72	55	26		

DIMENSIONS AND WEIGHTS



MODEL		DISCH		DIMENSIONS INCHES												LBS	
1 PH	3PH	DN1	DN2	a	f	h	h1	h2	h3	i	m	n	n1	w	s	1~	3~
PKBZ 03	PKBZ 03	1"	1"	1.7	9.5	5.9	2.4	2.9	5.4	0.7	3.1	4.7	3.9	2.1	0.2	11.7	11.7
PKBZ 05	PKBZ 05	1"	1"	1.9	10.2/9.8			3.1	5.6							17.0	14.1