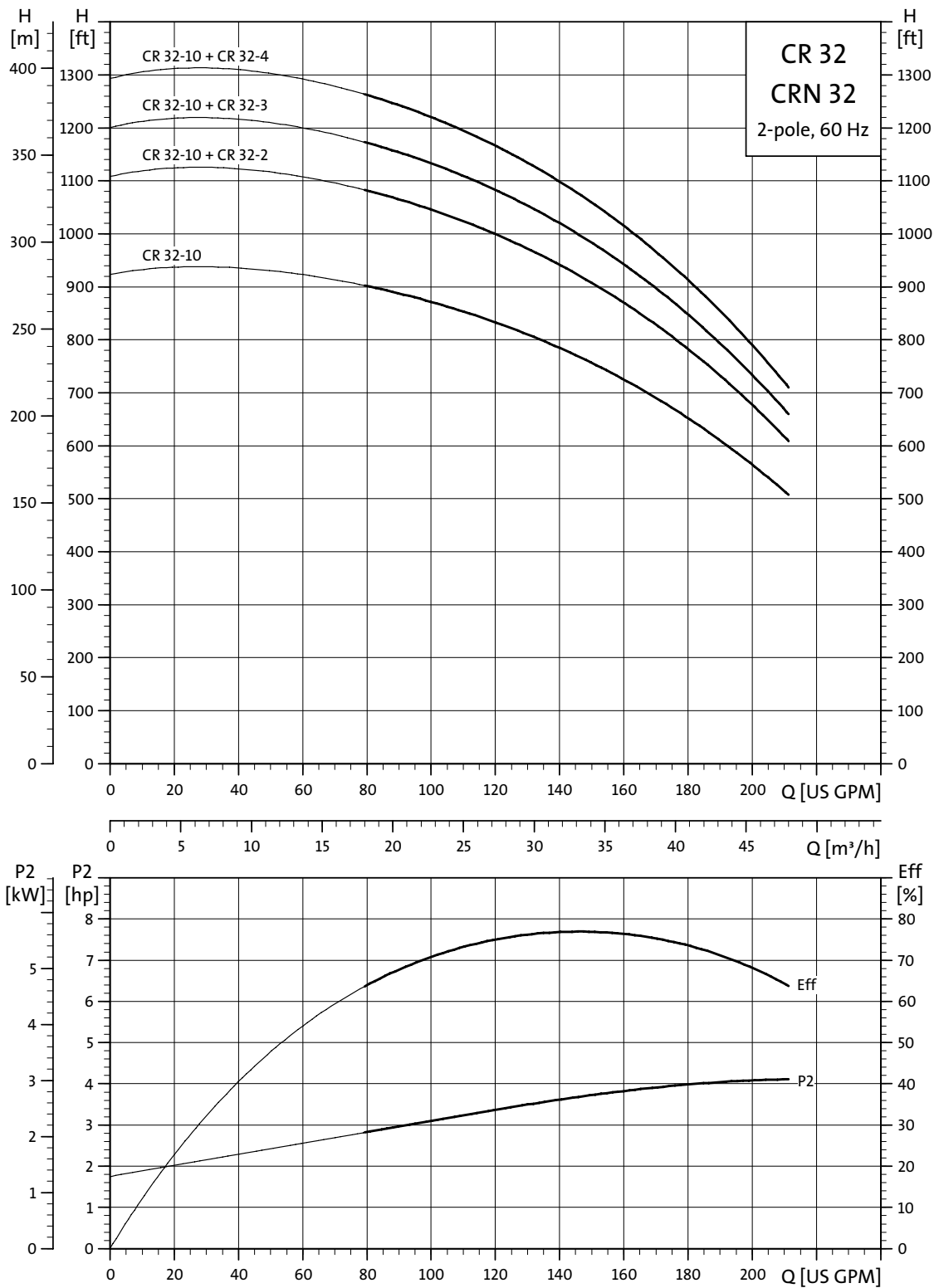
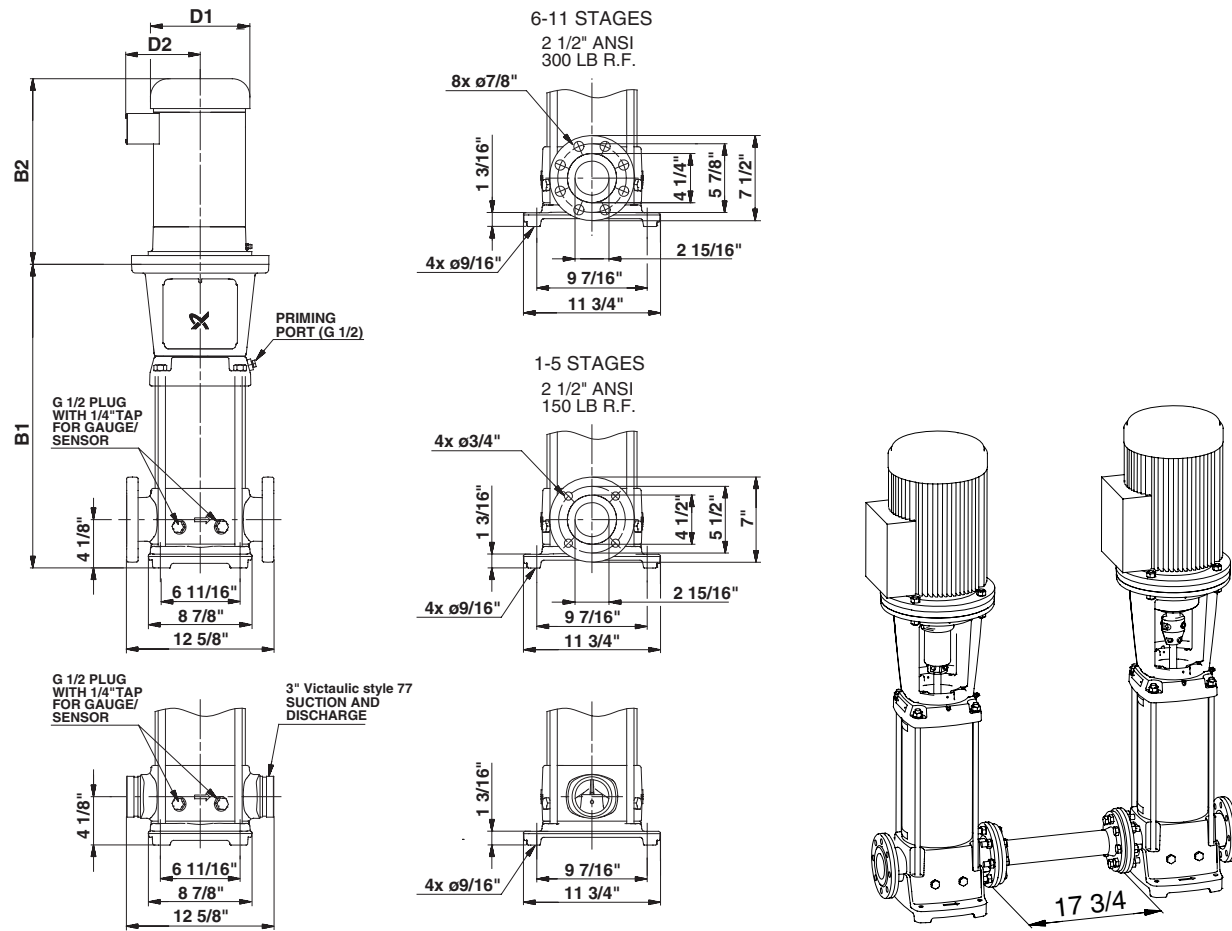


CR, CRN 32



TM02 8314 2406

Dimensional sketches



CR, CRN feed pump/CR, CRN high-pressure pump

CR, CRN feed pump, connecting pipe and CR, CRN high-pressure pump

TM03 4284 1906 - TM03 3414 0306

Dimensions and weights

Pump type	P2 [hp]	Dimensions [in]							Ship weight [lbs]	
		Victaulic B1	ANSI B1	B2	Victaulic B1 + B2	ANSI B1 + B2	D1	D2	Victaulic	ANSI
CR, CRN 32-2	7 1/2	22 3/4	22 3/4	15 5/8	38 3/8	38 3/8	8 3/4	5 3/8	213	223
CR, CRN 32-3	15	29 3/4	29 3/4	16 5/8	46 3/8	46 3/8	10 3/8	8 3/4	412	422
CR, CRN 32-4	15	32 1/2	32 1/2	16 5/8	49 1/8	49 1/8	10 3/8	8 3/4	419	429
CR, CRN 32-10	40	49 1/8	49 1/8	23	72 1/8	72 1/8	15 3/8	13 1/8	828	844