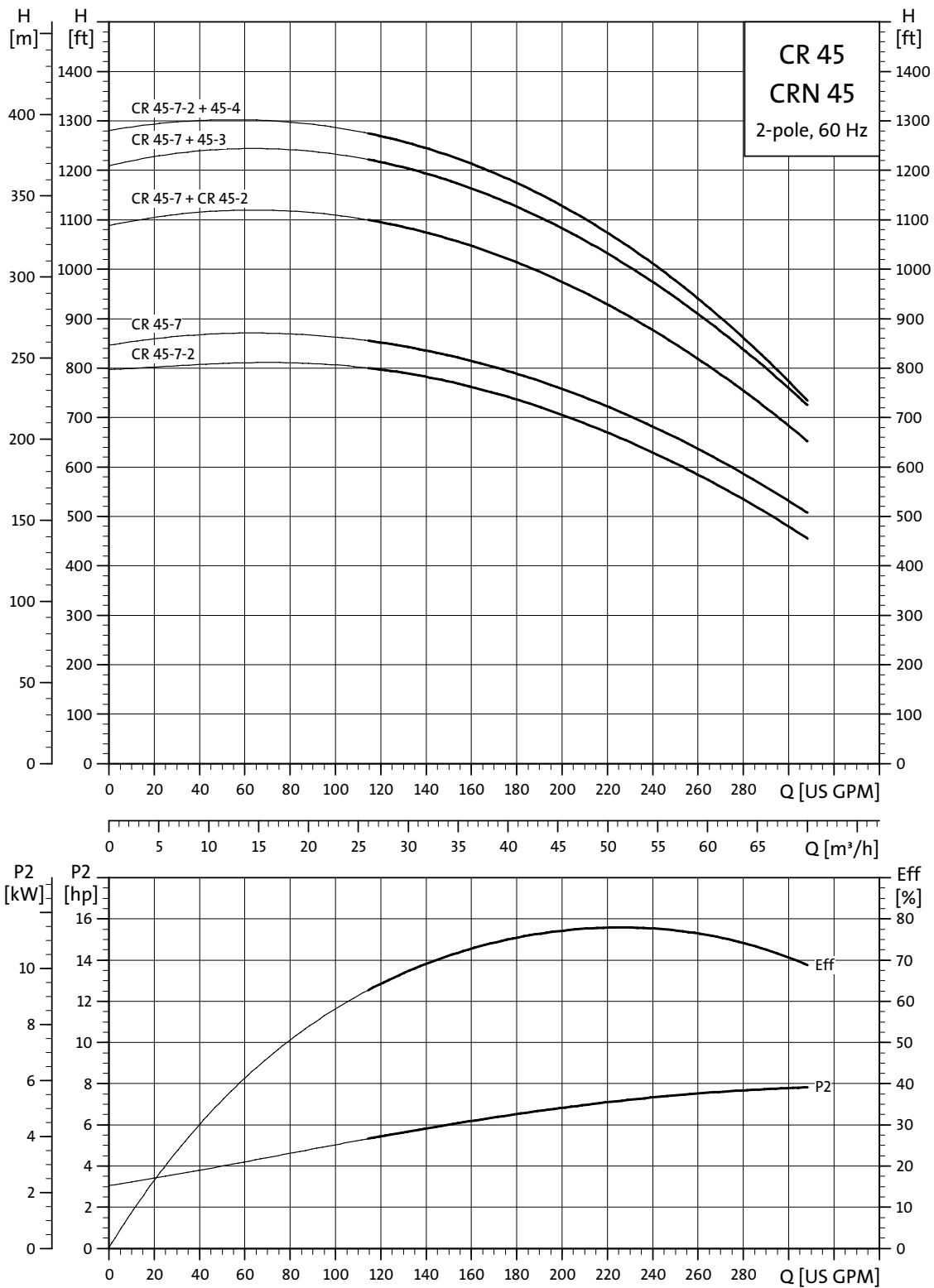
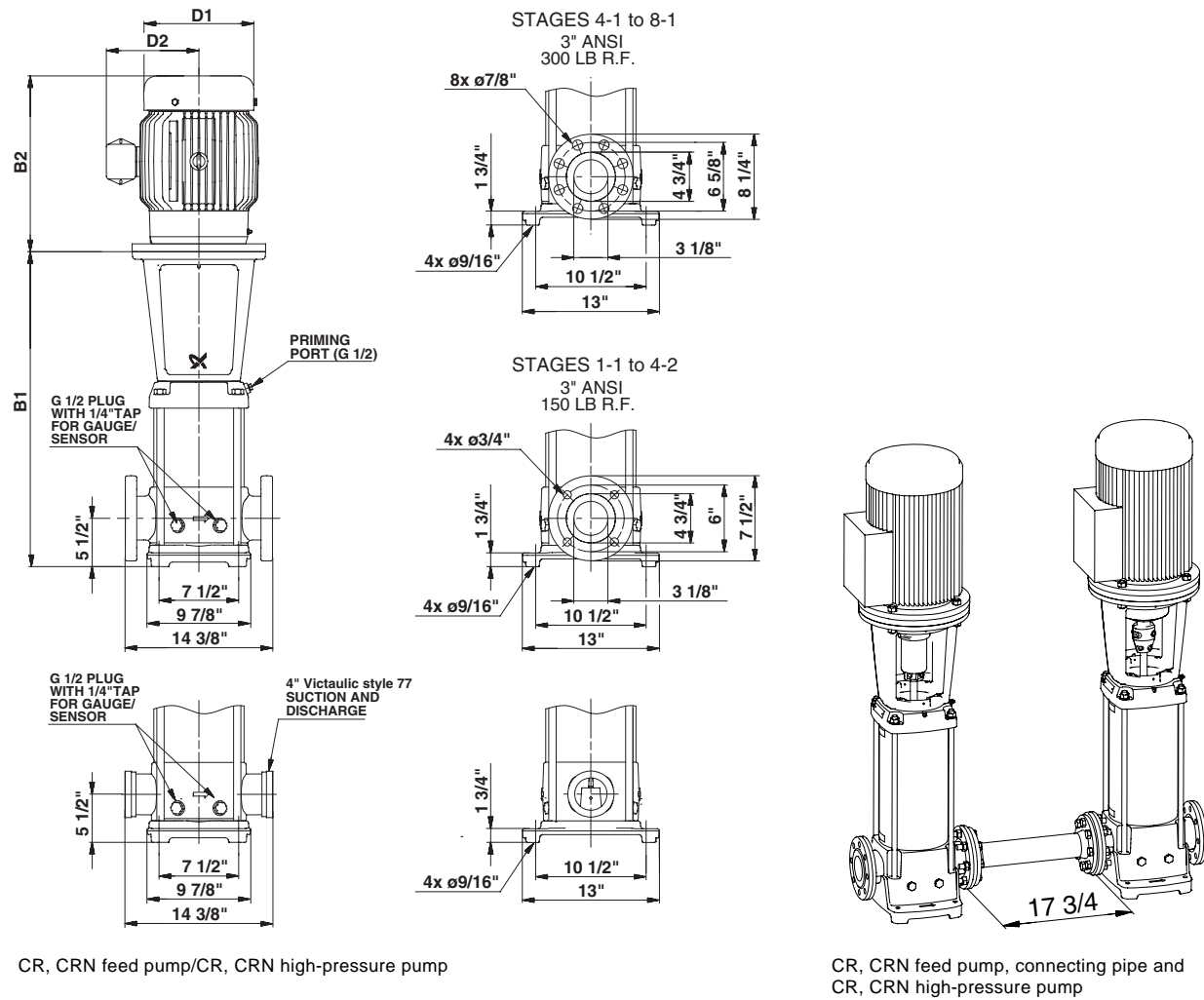


CR, CRN 45



TM02 8316 2406

Dimensional sketches



TM03 4285 1906 - TM03 3414 0306

Dimensions and weights

Pump type	P2 [hp]	Dimensions [in]							Ship weight [lbs]	
		Victaulic B1	ANSI B1	B2	Victaulic B1 + B2	ANSI B1 + B2	D1	D2	Victaulic	ANSI
CR, CRN 45-2	15	29 1/2	29 1/2	16 5/8	46 1/8	46 1/8	10 3/8	8 3/4	421	433
CR, CRN 45-3	25	32 5/8	32 5/8	19 3/4	52 3/8	52 3/8	13	9 1/2	524	536
CR, CRN 45-4	30	35 3/4	35 3/4	23	58 3/4	58 3/4	15 3/8	13 1/8	728	746
CR, CRN 45-7-2	50	45 1/4	45 1/4	27 5/8	72 7/8	72 7/8	17	14 1/8	864	882
CR, CRN 45-7	60	45 1/4	45 1/4	30 5/8	75 7/8	75 7/8	19	15	1044	1062