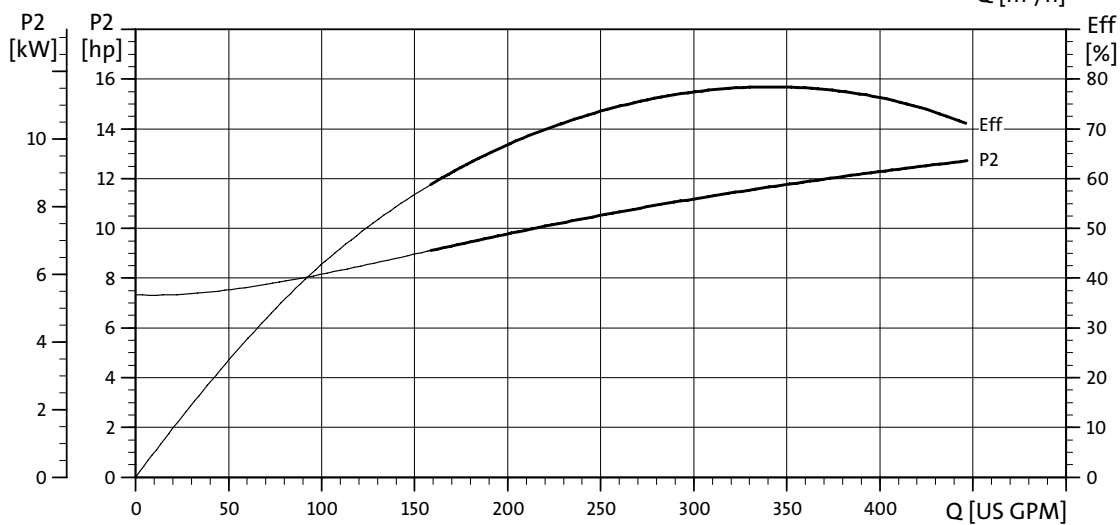
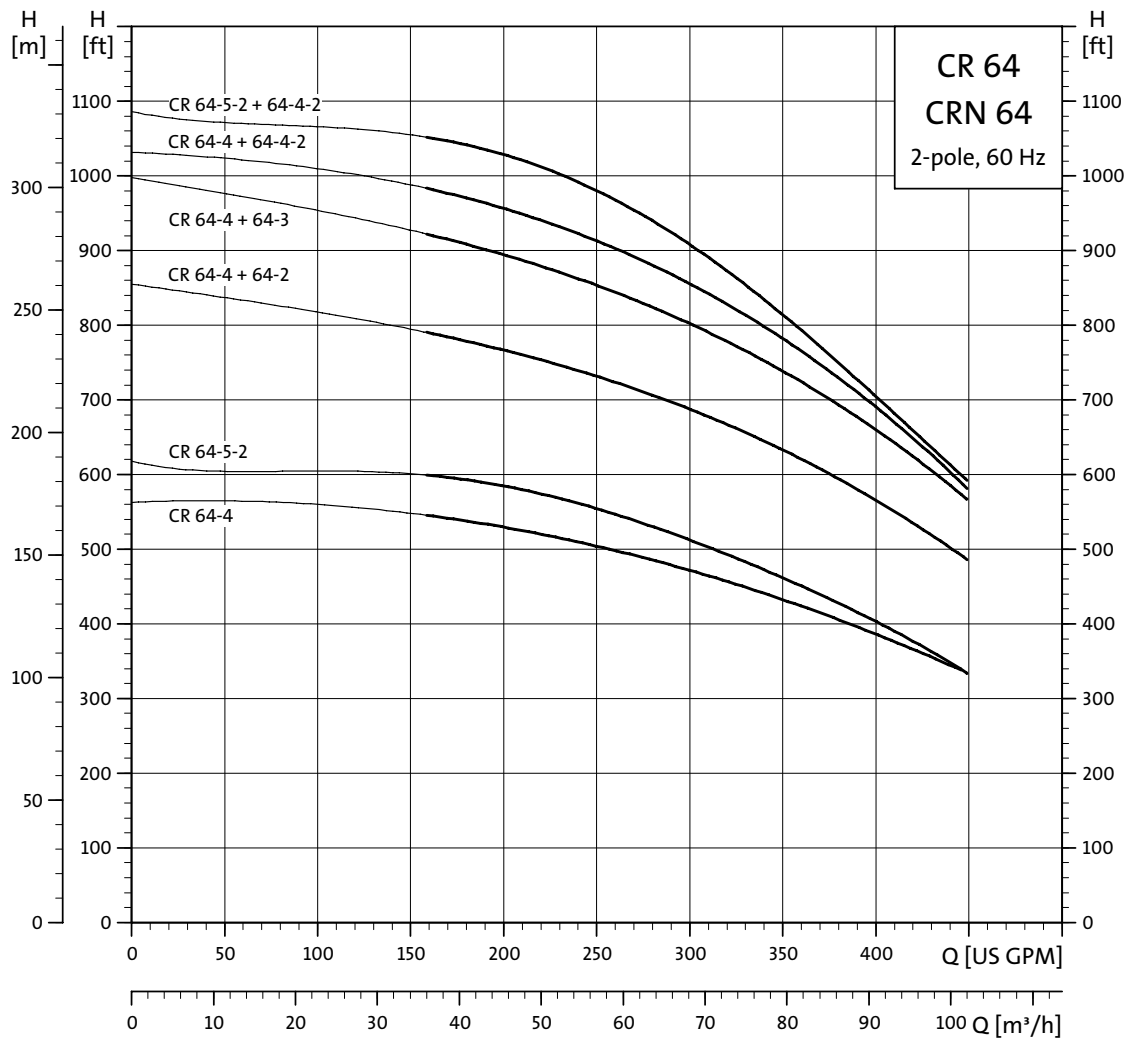
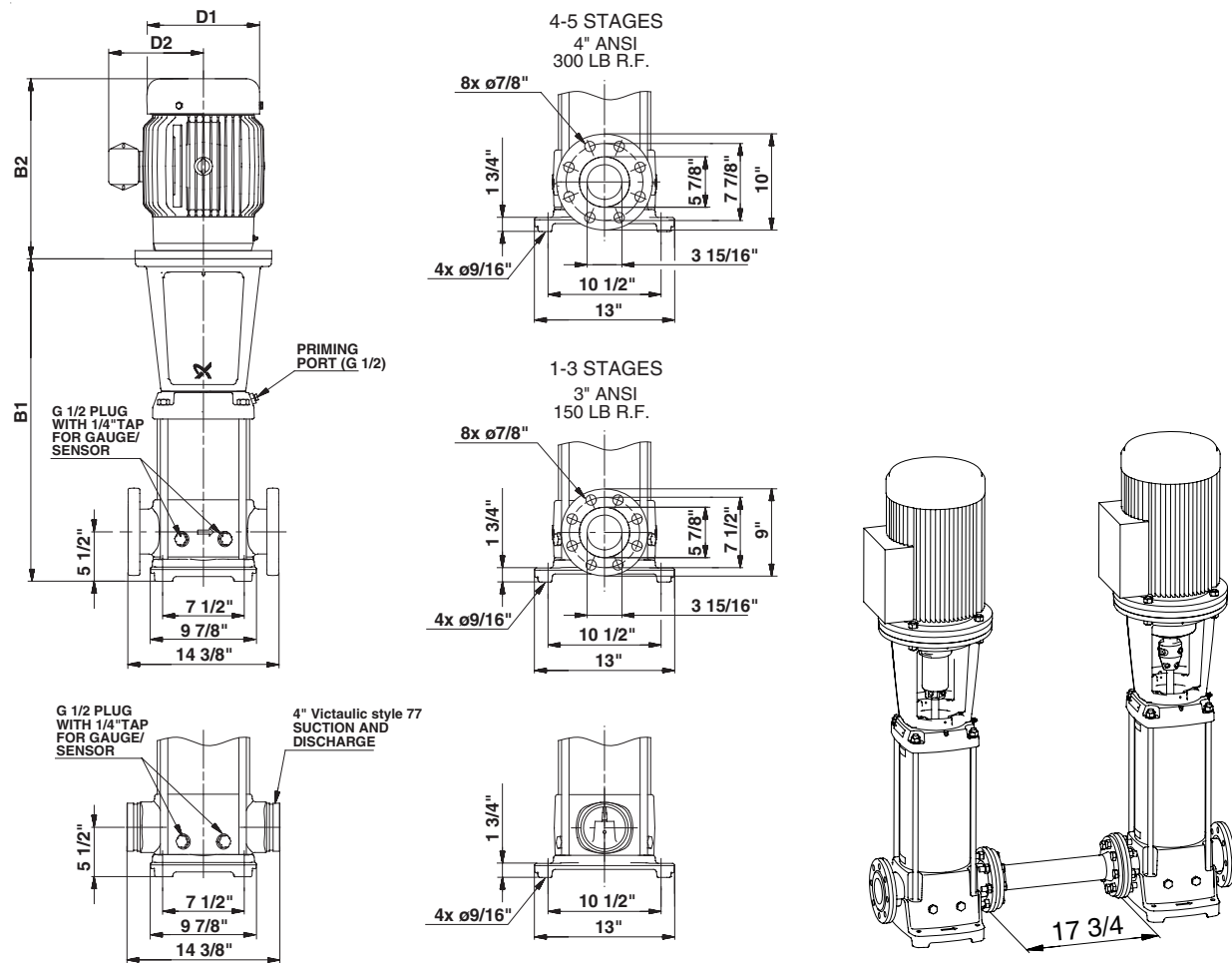


CR, CRN 64



TM02 8318 2406

Dimensional sketches



CR, CRN feed pump/CR, CRN high-pressure pump

CR, CRN feed pump, connecting pipe and CR, CRN high-pressure pump

TM03 4286 1906 - TM03 3414 0306

Dimensions and weights

Pump type	P2 [hp]	Dimensions [in]							Ship weight [lbs]	
		Victaulic B1	ANSI B1	B2	Victaulic B1 + B2	ANSI B1 + B2	D1	D2	Victaulic	ANSI
CR, CRN 64-2	25	29 3/4	29 3/4	19 3/4	49 1/2	49 1/2	13	9 1/2	421	437
CR, CRN 64-3	40	33	33	23	56	56	15 3/8	13 1/8	570	586
CR, CRN 64-4-2	40	36 1/4	36 1/4	23	59 1/4	59 1/4	15 3/8	13 1/8	582	609
CR, CRN 64-4	50	36 1/4	36 1/4	27 5/8	63 7/8	63 7/8	17	14 1/8	765	792
CR, CRN 64-5-2	60	39 1/2	39 1/2	30 5/8	70 1/8	70 1/8	19	15	1024	1051