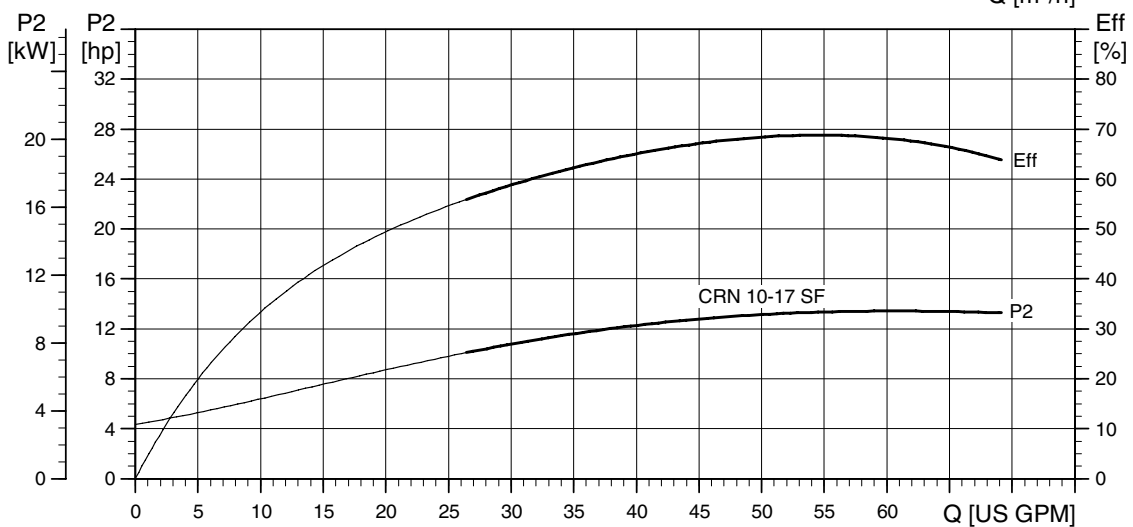
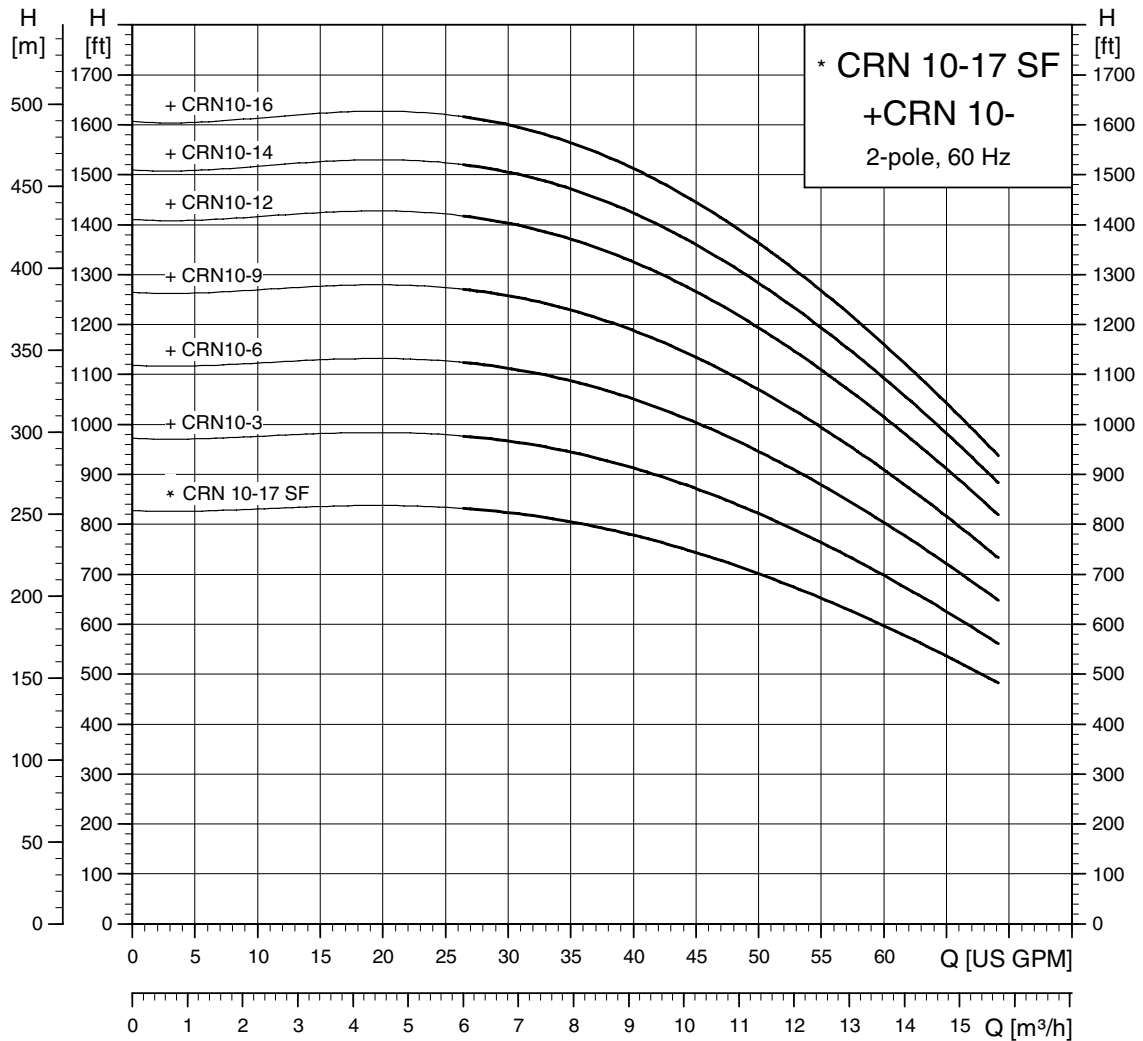
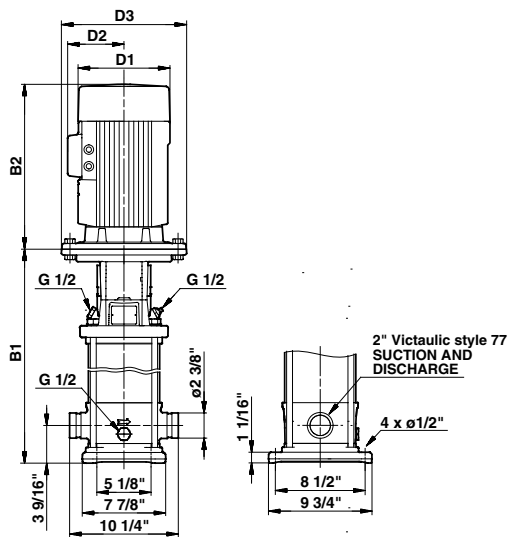


CRN 10-SF



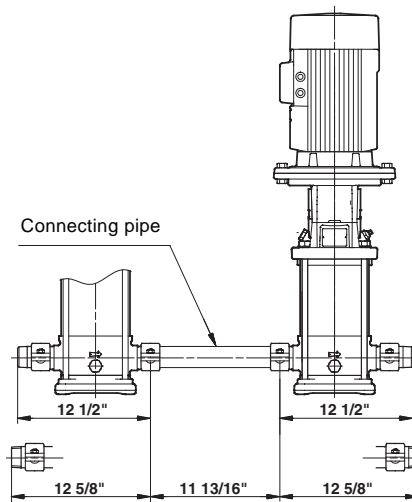
TM02 8311 2806

Dimensional sketches



CRN feed pump/CRN SF high-pressure pump

TM02 8850 1906



TM02 8851 0904

CRN feed pump, connecting pipe and CRN SF high-pressure pump

Dimensions and weights

Pump type	P2 [hp]	Dimensions [in]					Ship weight [lbs]
		B1	B2	B1 + B2	D1	D2	
CRN 10-3	3	17 1/8	11 3/4	28 7/8	7 1/8	4 3/8	126
CRN 10-6	5	20 3/4	13 1/4	34	7 1/8	4 3/8	143
CRN 10-9	7 1/2	24 1/2	15 5/8	40 1/8	8 3/4	5 3/8	207
CRN 10-12	10	28 1/8	15 5/8	43 3/4	8 3/4	8 3/4	214
CRN 10-14	10	30 1/2	15 5/8	46 1/8	8 3/4	8 3/4	220
CRN 10-16	15	35 3/8	16 5/8	52	10 3/4	8 3/4	379
CRN 10-17 SF	15	37 3/4	19 3/4	57 1/2	10 1/4	6 7/8	342