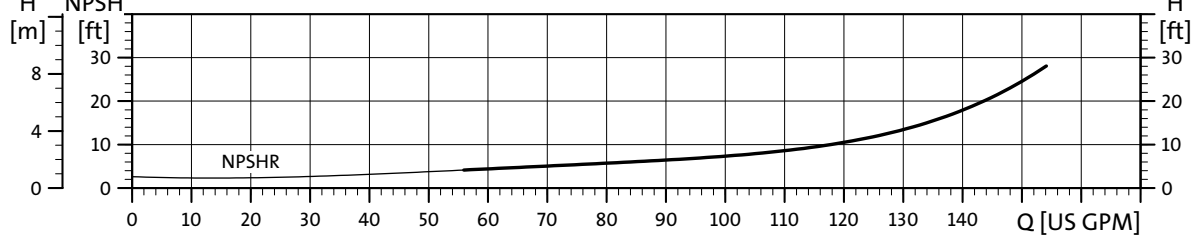
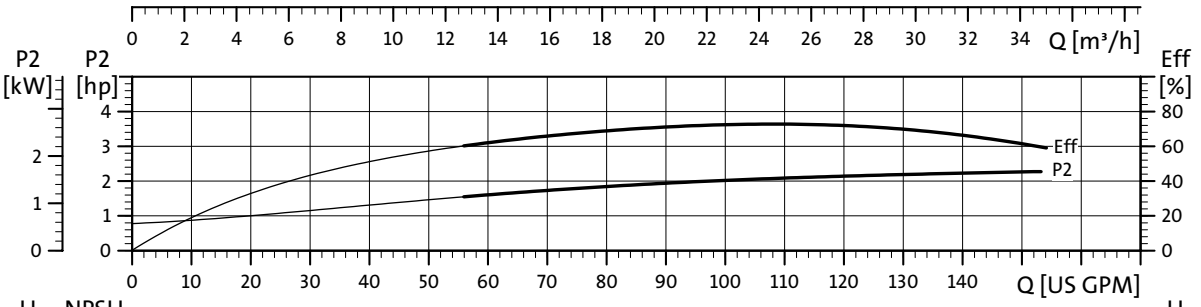
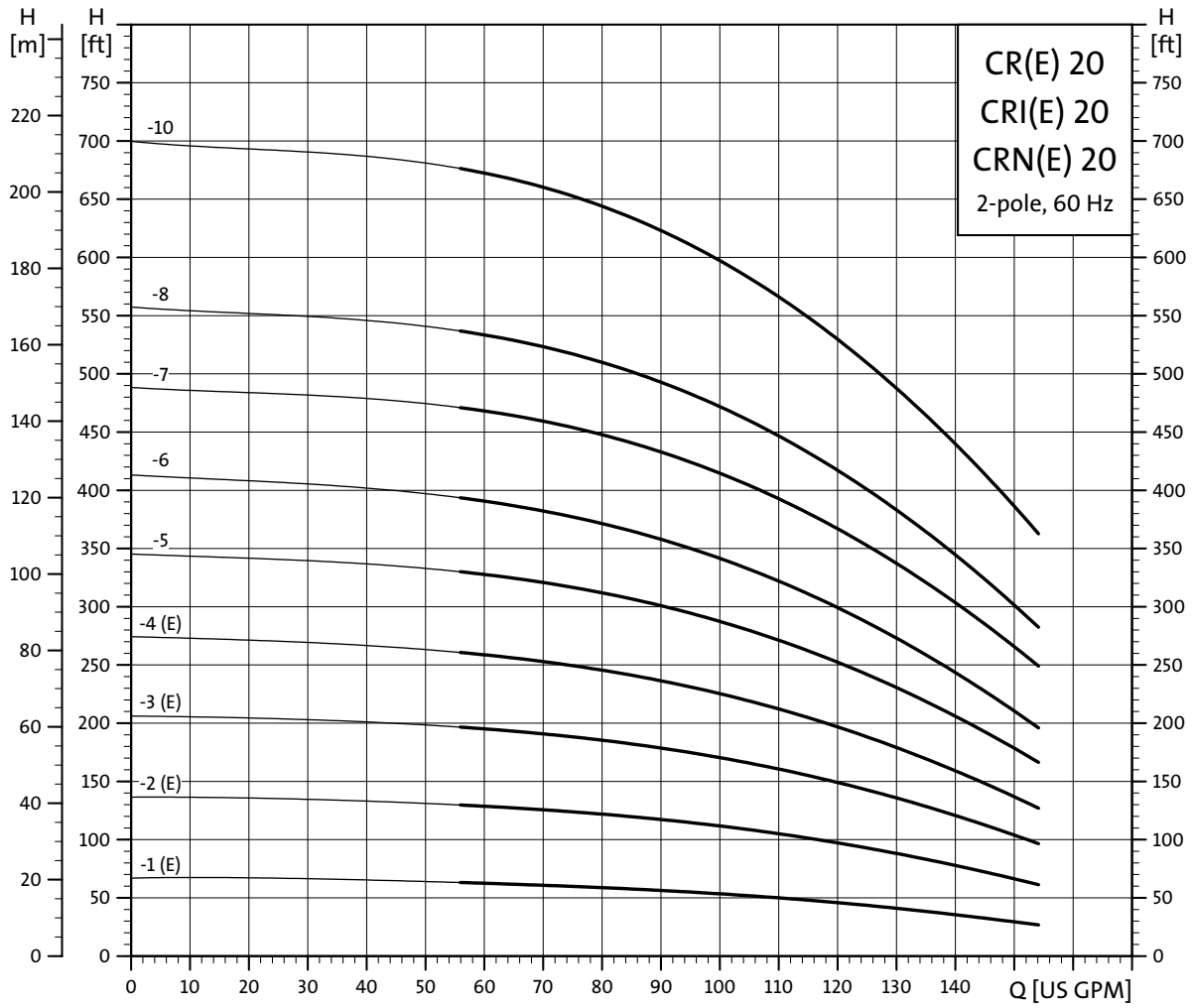


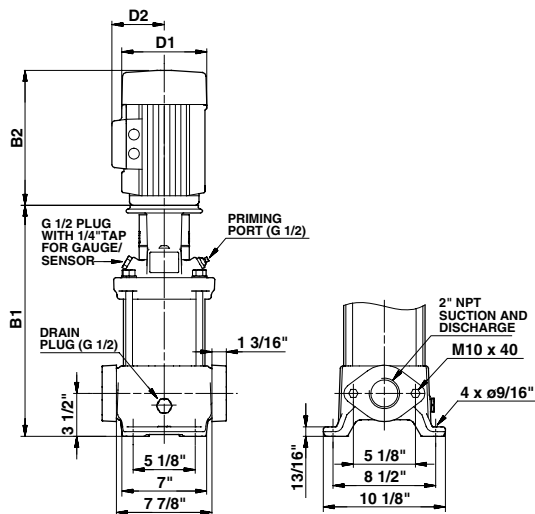
Performance curves

CR(E) 20
CRI(E) 20
CRN(E) 20
2-pole, 60 Hz

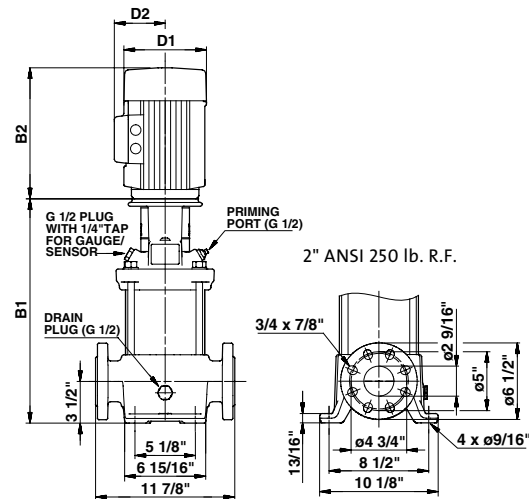


TM02 7223 2803

Dimensional sketches



TM03 1460 2205



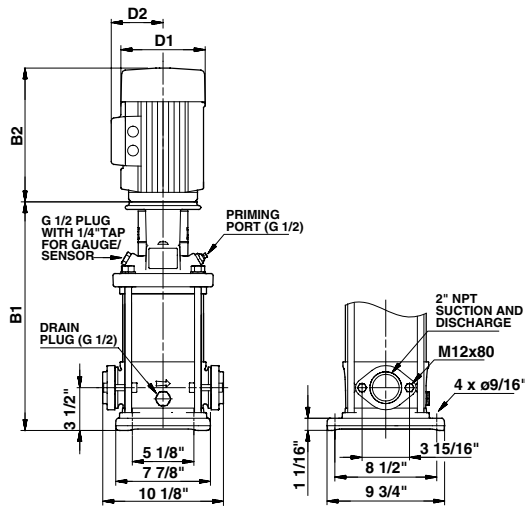
TM03 1461 2205

Dimensions and weights

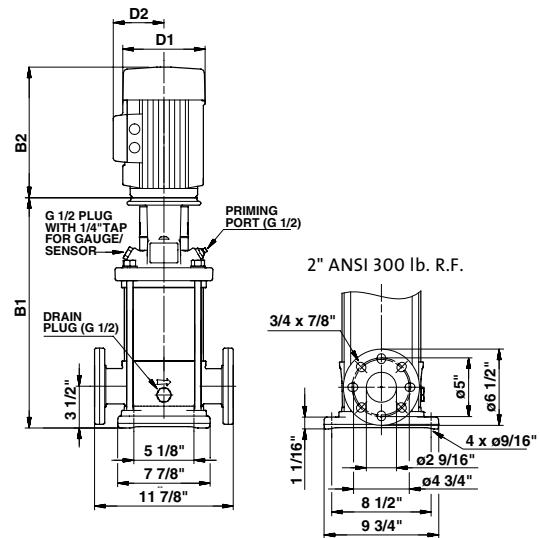
| Pump type | Hp | Ph | Voltage | NEMA Frame size | Oval B1 | ANSI B1 | TEFC | | | | ODP | | | | Oval ANSI Ship | | MLE | | | | Oval ANSI Ship | |
|------------|-------|----|-------------|-----------------|---------|---------|--------|--------|------------|------------|--------|-------|------------|------------|-------------------------|-------------------------|-------|-------|------------|------------|-------------------------|-------------------------|
| | | | | | | | D1 | D2 | Oval B1+B2 | ANSI B1+B2 | D1 | D2 | Oval B1+B2 | ANSI B1+B2 | Wt. ¹ [lbs.] | Wt. ¹ [lbs.] | D1 | D2 | Oval B1+B2 | ANSI B1+B2 | Wt. ¹ [lbs.] | Wt. ¹ [lbs.] |
| CR(E) 20-1 | 3 | 1 | 115/208-230 | 56C | 17 1/8 | 17 1/8 | 8 5/8 | 6 7/8 | 31 5/8 | 31 5/8 | - | - | - | - | 163 | 169 | - | - | - | - | - | - |
| | | | 208-230/460 | 56C | 17 1/8 | 17 1/8 | 7 1/8 | 4 3/8 | 28 5/8 | 28 5/8 | - | - | - | - | 128 | 134 | 7 | 6 5/8 | 30 5/8 | 30 5/8 | 158 | 160 |
| CR(E) 20-2 | 5 | 1 | 208-230 | 182TC | 17 1/8 | 17 1/8 | 10 5/8 | 7 1/2 | 32 1/2 | 32 1/2 | - | - | - | - | 178 | 185 | - | - | - | - | - | - |
| | | | 208-230/460 | 182TC | 17 1/8 | 17 1/8 | 7 1/8 | 4 3/8 | 30 3/8 | 30 3/8 | - | - | - | - | 135 | 141 | 8 3/4 | 7 1/2 | 32 3/4 | 32 3/4 | 190 | 192 |
| CR(E) 20-3 | 7 1/2 | 1 | 208-230 | 213TC | 19 1/4 | 19 1/4 | 10 1/4 | 7 1/2 | 34 5/8 | 34 5/8 | - | - | - | - | 200 | 207 | - | - | - | - | - | - |
| | | | 208-230/460 | 213TC | 19 1/4 | 19 1/4 | 8 3/4 | 5 3/8 | 34 7/8 | 34 7/8 | - | - | - | - | 192 | 199 | 8 3/4 | 7 1/2 | 34 7/8 | 34 7/8 | 221 | 224 |
| CR(E) 20-4 | 10 | 1 | 230 | 213TC | 21 | 21 | 10 1/4 | 10 3/8 | 36 7/8 | 36 7/8 | - | - | - | - | 227 | 233 | - | - | - | - | - | - |
| | | | 208-230/460 | 213TC | 21 | 21 | 8 3/4 | 5 3/8 | 36 5/8 | 36 5/8 | - | - | - | - | 176 | 183 | 8 3/4 | 7 1/2 | 36 5/8 | 36 5/8 | 229 | 231 |
| CR 20-5 | 15 | 3 | 208-230/460 | 254TC | 25 3/8 | 25 3/8 | 10 3/8 | 8 3/4 | 42 | 42 | 10 5/8 | 7 3/8 | 41 1/2 | 41 1/2 | 238 | 244 | - | - | - | - | - | - |
| CR 20-6 | 15 | 3 | 208-230/460 | 254TC | 27 1/8 | 27 1/8 | 10 3/8 | 8 3/4 | 43 3/4 | 43 3/4 | 10 5/8 | 7 3/8 | 43 1/4 | 43 1/4 | 240 | 246 | - | - | - | - | - | - |
| CR 20-7 | 20 | 3 | 230/460 | 254TC | 28 7/8 | 28 7/8 | 10 3/8 | 8 3/4 | 45 1/4 | 45 1/4 | 11 1/2 | 9 | 46 7/8 | 46 7/8 | 381 | 387 | - | - | - | - | - | - |
| CR 20-8 | 20 | 3 | 230/460 | 254TC | - | 30 5/8 | 10 3/8 | 8 3/4 | - | 47 | 11 1/2 | 9 | - | 48 5/8 | - | 392 | - | - | - | - | - | - |
| CR 20-10 | 25 | 3 | 230/460 | 284TSC | - | 33 1/2 | 13 | 9 1/2 | - | 53 1/4 | 11 1/2 | 9 | - | 54 1/2 | - | 381 | - | - | - | - | - | - |

Weights based on pump with TEFC motor (see price list for individual weights)
All dimensions in inches unless otherwise noted.

Dimensional sketches



TM03 1458 2205



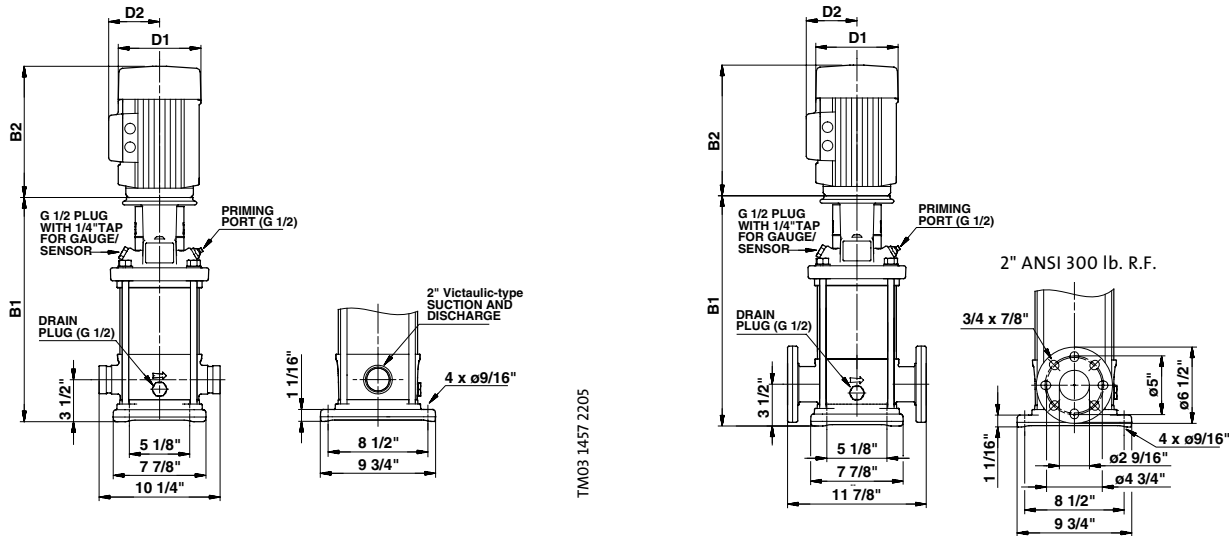
TM03 1459 2205

Dimensions and weights

| Pump type | Hp | Ph | Voltage | NEMA Frame size | Oval B1 | ANSI B1 | TEFC | | | | ODP | | | | Oval Ship Wt. ¹ [lbs.] | ANSI Ship Wt. ¹ [lbs.] | MLE | | | | Oval Ship Wt. ¹ [lbs.] | ANSI Ship Wt. ¹ [lbs.] |
|-------------|-------|----|-------------|-----------------|---------|---------|--------|--------|------------|------------|--------|-------|------------|------------|-----------------------------------|-----------------------------------|-------|-------|------------|------------|-----------------------------------|-----------------------------------|
| | | | | | | | D1 | D2 | Oval B1+B2 | ANSI B1+B2 | D1 | D2 | Oval B1+B2 | ANSI B1+B2 | | | D1 | D2 | Oval B1+B2 | ANSI B1+B2 | | |
| CRI(E) 20-1 | 3 | 1 | 115/208-230 | 56C | 17 1/8 | 17 1/8 | 8 5/8 | 6 7/8 | 31 5/8 | 31 5/8 | - | - | - | - | 163 | 169 | - | - | - | - | - | - |
| | | 3 | 208-230/460 | 56C | 17 1/8 | 17 1/8 | 7 1/8 | 4 3/8 | 28 5/8 | 28 5/8 | - | - | - | - | 128 | 134 | 7 | 6 5/8 | 30 1/2 | 30 1/2 | 158 | 160 |
| CRI(E) 20-2 | 5 | 1 | 208-230 | 182TC | 17 1/8 | 17 1/8 | 10 5/8 | 7 1/2 | 32 1/2 | 32 1/2 | - | - | - | - | 178 | 185 | - | - | - | - | - | - |
| | | 3 | 208-230/460 | 182TC | 17 1/8 | 17 1/8 | 7 1/8 | 4 3/8 | 30 3/8 | 30 3/8 | - | - | - | - | 135 | 141 | 8 3/4 | 7 1/2 | 32 5/8 | 32 5/8 | 190 | 192 |
| CRI(E) 20-3 | 7 1/2 | 1 | 208-230 | 213TC | 19 1/4 | 19 1/4 | 10 1/4 | 7 1/2 | 34 5/8 | 34 5/8 | - | - | - | - | 200 | 207 | - | - | - | - | - | - |
| | | 3 | 208-230/460 | 213TC | 19 1/4 | 19 1/4 | 8 3/4 | 5 3/8 | 34 7/8 | 34 7/8 | - | - | - | - | 192 | 199 | 8 3/4 | 7 1/2 | 34 3/4 | 34 3/4 | 221 | 224 |
| CRI(E) 20-4 | 10 | 1 | 230 | 213TC | 21 | 21 | 10 1/4 | 10 3/8 | 36 7/8 | 36 7/8 | - | - | - | - | 227 | 233 | - | - | - | - | - | - |
| | | 3 | 208-230/460 | 213TC | 21 | 21 | 8 3/4 | 5 3/8 | 36 5/8 | 36 5/8 | - | - | - | - | 176 | 183 | 8 3/4 | 7 1/2 | 36 1/2 | 36 1/2 | 229 | 231 |
| CRI 20-5 | 15 | 3 | 208-230/460 | 254TC | 25 3/8 | 25 3/8 | 10 3/8 | 8 3/4 | 42 | 42 | 10 5/8 | 7 3/8 | 41 1/2 | 41 1/2 | 238 | 244 | - | - | - | - | - | - |
| CRI 20-6 | 15 | 3 | 208-230/460 | 254TC | 27 1/8 | 27 1/8 | 10 3/8 | 8 3/4 | 43 3/4 | 43 3/4 | 10 5/8 | 7 3/8 | 43 1/4 | 43 1/4 | 240 | 246 | - | - | - | - | - | - |
| CRI 20-7 | 20 | 3 | 230/460 | 254TC | 28 7/8 | 28 7/8 | 10 3/8 | 8 3/4 | 45 1/4 | 45 1/4 | 11 1/2 | 9 | 46 7/8 | 46 7/8 | 381 | 387 | - | - | - | - | - | - |
| CRI 20-8 | 20 | 3 | 230/460 | 254TC | - | 30 5/8 | 10 3/8 | 8 3/4 | - | 47 | 11 1/2 | 9 | - | 48 5/8 | - | 392 | - | - | - | - | - | - |
| CRI 20-10 | 25 | 3 | 230/460 | 284TSC | - | 33 1/2 | 13 | 9 1/2 | - | 53 1/4 | 11 1/2 | 9 | - | 54 1/2 | - | 381 | - | - | - | - | - | - |

Weights based on pump with TEFC motor (see price list for individual weights)
All dimensions in inches unless otherwise noted.

Dimensional sketches



TM03 1457 2205

TM03 1459 2205

Dimensions and weights

| Pump type | Hp | Ph | Voltage | NEMA Frame size | PJE B1 | ANSI B1 | TEFC | | | | ODP | | | | PJE Ship | | MLE | | | | PJE Ship | |
|-------------|-------|----|-------------|-----------------|--------|---------|--------|--------|-----------|------------|--------|-------|-----------|------------|-------------------------|-------------------------|-------|-------|-----------|------------|-------------------------|-------------------------|
| | | | | | | | D1 | D2 | PJE B1+B2 | ANSI B1+B2 | D1 | D2 | PJE B1+B2 | ANSI B1+B2 | Wt. ¹ [lbs.] | Wt. ¹ [lbs.] | D1 | D2 | PJE B1+B2 | ANSI B1+B2 | Wt. ¹ [lbs.] | Wt. ¹ [lbs.] |
| CRN(E) 20-1 | 3 | 1 | 115/208-230 | 56C | 17 1/8 | 17 1/8 | 8 5/8 | 6 7/8 | 31 5/8 | 31 5/8 | - | - | - | - | 158 | 169 | - | - | - | - | - | - |
| | | 3 | 208-230/460 | 56C | 17 1/8 | 17 1/8 | 7 1/8 | 4 3/8 | 28 5/8 | 28 5/8 | - | - | - | - | 123 | 134 | 7 | 6 5/8 | 30 1/2 | 30 1/2 | 142 | 153 |
| CRN(E) 20-2 | 5 | 1 | 208-230 | 182TC | 17 1/8 | 17 1/8 | 10 5/8 | 7 1/2 | 32 1/2 | 32 1/2 | - | - | - | - | 176 | 185 | - | - | - | - | - | - |
| | | 3 | 208-230/460 | 182TC | 17 1/8 | 17 1/8 | 7 1/8 | 4 3/8 | 30 3/8 | 30 3/8 | - | - | - | - | 130 | 141 | 8 3/4 | 7 1/2 | 32 5/8 | 32 5/8 | 175 | 186 |
| CRN(E) 20-3 | 7 1/2 | 1 | 208-230 | 213TC | 19 1/4 | 19 1/4 | 10 1/4 | 7 1/2 | 34 5/8 | 34 5/8 | - | - | - | - | 196 | 207 | - | - | - | - | - | - |
| | | 3 | 208-230/460 | 213TC | 19 1/4 | 19 1/4 | 8 3/4 | 5 3/8 | 34 7/8 | 34 7/8 | - | - | - | - | 188 | 199 | 8 3/4 | 7 1/2 | 34 3/4 | 34 3/4 | 206 | 217 |
| CRN(E) 20-4 | 10 | 1 | 230 | 213TC | 21 | 21 | 10 1/4 | 10 3/8 | 36 7/8 | 36 7/8 | - | - | - | - | 222 | 233 | - | - | - | - | - | - |
| | | 3 | 208-230/460 | 213TC | 21 | 21 | 8 3/4 | 5 3/8 | 36 5/8 | 36 5/8 | - | - | - | - | 172 | 183 | 8 3/4 | 7 1/2 | 36 1/2 | 36 1/2 | 213 | 224 |
| CRN 20-5 | 15 | 3 | 208-230/460 | 254TC | 25 3/8 | 25 3/8 | 10 3/8 | 8 3/4 | 42 | 42 | 10 5/8 | 7 3/8 | 41 1/2 | 41 1/2 | 233 | 244 | - | - | - | - | - | - |
| CRN 20-6 | 15 | 3 | 208-230/460 | 254TC | 27 1/8 | 27 1/8 | 10 3/8 | 8 3/4 | 43 3/4 | 43 3/4 | 10 5/8 | 7 3/8 | 43 1/4 | 43 1/4 | 235 | 246 | - | - | - | - | - | - |
| CRN 20-7 | 20 | 3 | 230/460 | 254TC | 28 7/8 | 28 7/8 | 10 3/8 | 8 3/4 | 45 1/4 | 45 1/4 | 11 1/2 | 9 | 46 7/8 | 46 7/8 | 376 | 387 | - | - | - | - | - | - |
| CRN 20-8 | 20 | 3 | 230/460 | 254TC | 30 5/8 | 30 5/8 | 10 3/8 | 8 3/4 | 47 | 47 | 11 1/2 | 9 | 48 5/8 | 48 5/8 | 381 | 392 | - | - | - | - | - | - |
| CRN 20-10 | 25 | 3 | 230/460 | 284TSC | 33 1/2 | 33 1/2 | 13 | 9 1/2 | 53 1/4 | 53 1/4 | 11 1/2 | 9 | 54 1/2 | 54 1/2 | 370 | 381 | - | - | - | - | - | - |

Weights based on pump with TEFC motor (see price list for individual weights)

All dimensions in inches unless otherwise noted.