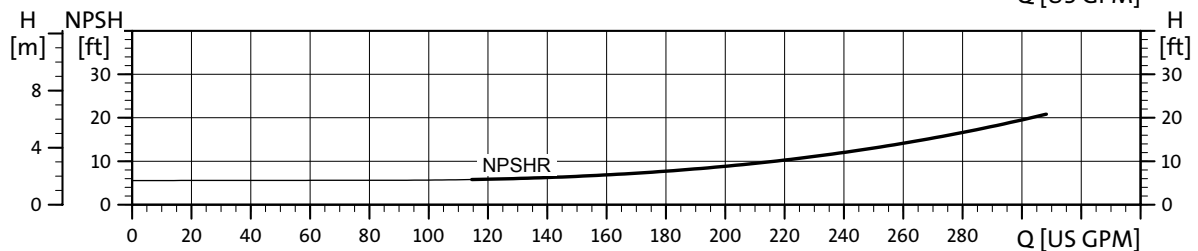
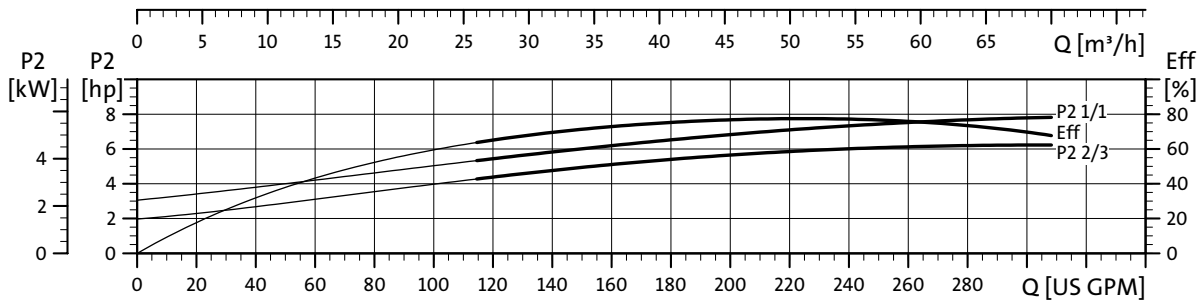
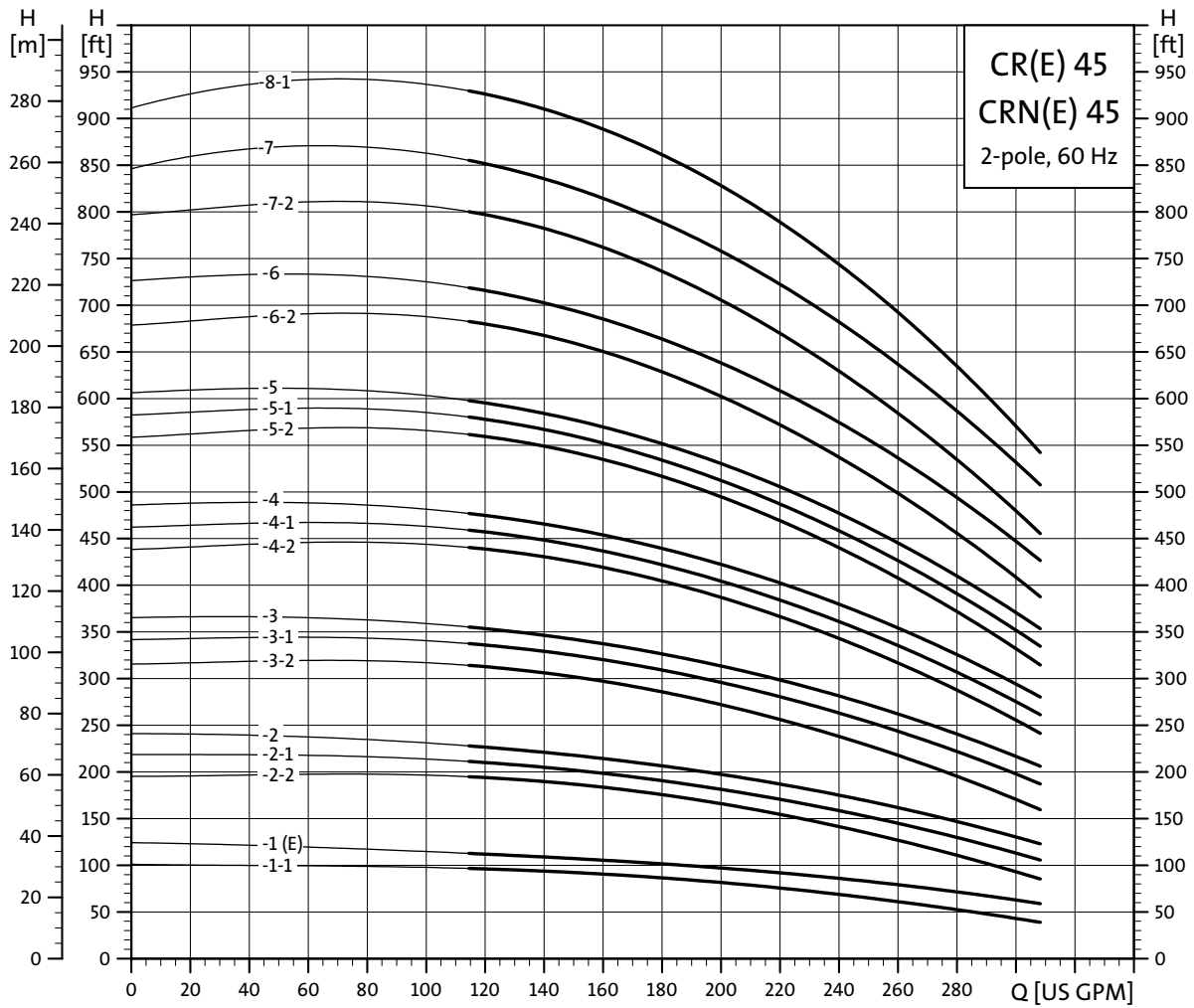


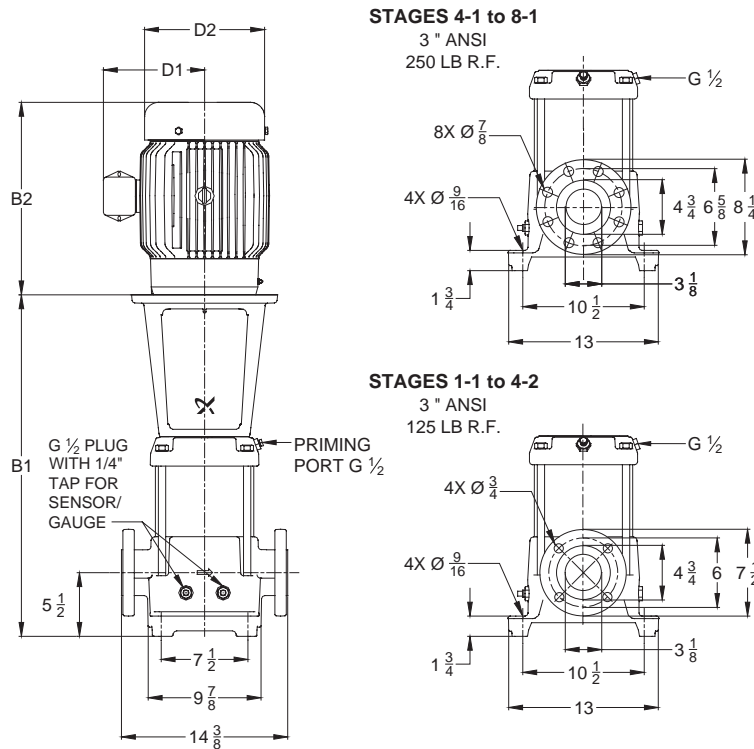
Performance curves

CR(E), CRN(E) 45



E03 TM02 0040 1303

Dimensional sketches



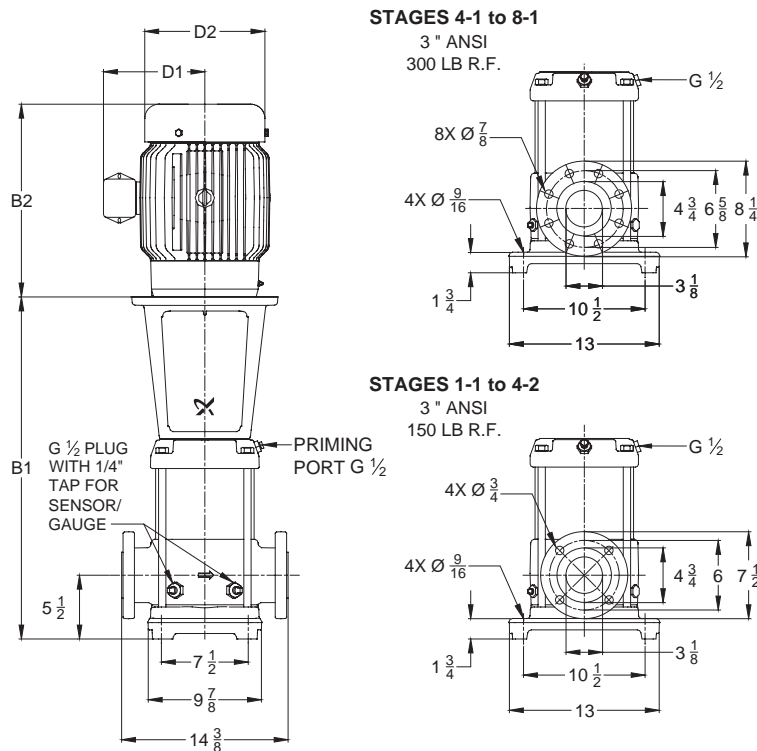
TM027700 3804

Dimensions and weights

Pump type	Hp	Ph	Voltage	NEMA Frame size	ANSI B1	TEFC			ODP			ANSI Ship Wt. ¹ [lbs.]	MLE			ANSI Ship Wt. ¹ [lbs.]
						D1	D2	ANSI B1+B2	D1	D2	ANSI B1+B2		D1	D2	ANSI B1+B2	
CR 45-1-1	7 1/2	1	208-230	213TC	22	10 1/4	7 1/2	37 3/8	-	-	-	301	-	-	-	-
		3	208-230/460	213TC	22	8 3/4	5 3/8	37 5/8	-	-	-	281	-	-	-	-
CR(E) 45-1	7 1/2	1	208-230	213TC	22	10 1/4	7 1/2	37 3/8	-	-	-	301	-	-	-	-
		3	208-230/460	213TC	22	8 3/4	5 3/8	37 5/8	-	-	-	281	8 3/4	7 1/2	37 2/5	311
CR 45-2-2	15	3	208-230/460	254TC	29 1/2	10 3/8	8 3/4	46 1/8	10 5/8	7 3/8	45 5/8	387	-	-	-	-
CR 45-2-1	15	3	208-230/460	254TC	29 1/2	10 3/8	8 3/4	46 1/8	10 5/8	7 3/8	45 5/8	387	-	-	-	-
CR 45-2	15	3	208-230/460	254TC	29 1/2	10 3/8	8 3/4	46 1/8	10 5/8	7 3/8	45 5/8	387	-	-	-	-
CR 45-3-2	20	3	230/460	254TC	32 5/8	10 3/8	8 3/4	49	11 1/2	9	50 5/8	569	-	-	-	-
CR 45-3-1	25	3	230/460	284TSC	32 5/8	13	9 1/2	52 3/8	11 1/2	9	53 5/8	622	-	-	-	-
CR 45-3	25	3	230/460	284TSC	32 5/8	13	9 1/2	52 3/8	11 1/2	9	53 5/8	622	-	-	-	-
CR 45-4-2	30	3	230/460	284TSC	35 3/4	15 3/8	13 1/8	58 3/4	11 1/2	9	57 3/8	809	-	-	-	-
CR 45-4-1	30	3	230/460	284TSC	35 3/4	15 3/8	13 1/8	58 3/4	11 1/2	9	57 3/8	809	-	-	-	-
CR 45-4	30	3	230/460	284TSC	35 3/4	15 3/8	13 1/8	58 3/4	11 1/2	9	57 3/8	809	-	-	-	-
CR 45-5-2	40	3	230/460	286TSC	39	15 3/8	13 1/8	62	13 1/4	12 1/4	62	863	-	-	-	-
CR 45-5-1	40	3	230/460	286TSC	39	15 3/8	13 1/8	62	13 1/4	12 1/4	62	863	-	-	-	-
CR 45-5	40	3	230/460	286TSC	39	15 3/8	13 1/8	62	13 1/4	12 1/4	62	863	-	-	-	-
CR 45-6-2	50	3	230/460	324TSC	42 1/8	17	14 1/8	69 3/4	13 3/8	12 1/4	64 5/8	929	-	-	-	-
CR 45-6	50	3	230/460	324TSC	42 1/8	17	14 1/8	69 3/4	13 3/8	12 1/4	64 5/8	929	-	-	-	-
CR 45-7-2	50	3	230/460	324TSC	45 1/4	17	14 1/8	72 7/8	13 3/8	12 1/4	67 3/4	938	-	-	-	-
CR 45-7	60	3	230/460	364TSC	45 1/4	19	15	75 7/8	15 1/4	13 1/4	71 1/4	1113	-	-	-	-
CR 45-8-1	60	3	230/460	364TSC	48 3/8	19	15	79	15 1/4	13 1/4	74 3/8	1113	-	-	-	-

Weights based on pump with TEFC motor (see price list for individual weights)
All dimensions in inches unless otherwise noted.

Dimensional sketches



TM027704 3804

Dimensions and weights

Pump type	Hp	Ph	Voltage	NEMA Frame size	ANSI B1	TEFC			ODP			ANSI Ship Wt. ¹ [lbs.]	MLE			ANSI Ship Wt. ¹ [lbs.]
						D1	D2	ANSI B1+B2	D1	D2	ANSI B1+B2		D1	D2	ANSI B1+B2	
CRN 45-1-1	7 1/2	1	208-230	213TC	22	10 1/4	7 1/2	37 3/8	-	-	-	301	-	-	-	-
			208-230/460	213TC	22	8 3/4	5 3/8	37 5/8	-	-	-	281	-	-	-	-
CRN 45-1	7 1/2	3	208-230	213TC	22	10 1/4	7 1/2	37 3/8	-	-	-	301	-	-	-	-
			208-230/460	213TC	22	8 3/4	5 3/8	37 5/8	-	-	-	281	8 3/4	7 1/2	37 2/5	311
CRN 45-2-2	15	3	208-230/460	254TC	29 1/2	10 3/8	8 3/4	46 1/8	10 5/8	7 3/8	45 5/8	387	-	-	-	-
CRN 45-2-1	15	3	208-230/460	254TC	29 1/2	10 3/8	8 3/4	46 1/8	10 5/8	7 3/8	45 5/8	387	-	-	-	-
CRN 45-2	15	3	208-230/460	254TC	29 1/2	10 3/8	8 3/4	46 1/8	10 5/8	7 3/8	45 5/8	387	-	-	-	-
CRN 45-3-2	20	3	230/460	254TC	32 5/8	10 3/8	8 3/4	49	11 1/2	9	50 5/8	569	-	-	-	-
CRN 45-3-1	25	3	230/460	284TSC	32 5/8	13	9 1/2	52 3/8	11 1/2	9	53 5/8	622	-	-	-	-
CRN 45-3	25	3	230/460	284TSC	32 5/8	13	9 1/2	52 3/8	11 1/2	9	53 5/8	622	-	-	-	-
CRN 45-4-2	30	3	230/460	284TSC	35 3/4	15 3/8	13 1/8	58 3/4	11 1/2	9	57 3/8	809	-	-	-	-
CRN 45-4-1	30	3	230/460	284TSC	35 3/4	15 3/8	13 1/8	58 3/4	11 1/2	9	57 3/8	809	-	-	-	-
CRN 45-4	30	3	230/460	284TSC	35 3/4	15 3/8	13 1/8	58 3/4	11 1/2	9	57 3/8	809	-	-	-	-
CRN 45-5-2	40	3	230/460	286TSC	39	15 3/8	13 1/8	62	13 1/4	12 1/4	62	863	-	-	-	-
CRN 45-5-1	40	3	230/460	286TSC	39	15 3/8	13 1/8	62	13 1/4	12 1/4	62	863	-	-	-	-
CRN 45-5	40	3	230/460	286TSC	39	15 3/8	13 1/8	62	13 1/4	12 1/4	62	863	-	-	-	-
CRN 45-6-2	50	3	230/460	324TSC	42 1/8	17	14 1/8	69 3/4	13 3/8	12 1/4	64 5/8	929	-	-	-	-
CRN 45-6	50	3	230/460	324TSC	42 1/8	17	14 1/8	69 3/4	13 3/8	12 1/4	64 5/8	929	-	-	-	-
CRN 45-7-2	50	3	230/460	324TSC	45 1/4	17	14 1/8	72 7/8	13 3/8	12 1/4	67 3/4	938	-	-	-	-
CRN 45-7	60	3	230/460	364TSC	45 1/4	19	15	75 7/8	15 1/4	13 1/4	71 1/4	1113	-	-	-	-
CRN 45-8-1	60	3	230/460	364TSC	48 3/8	19	15	79	15 1/4	13 1/4	74 3/8	1113	-	-	-	-

Weights based on pump with TEFC motor (see price list for individual weights)
All dimensions in inches unless otherwise noted.