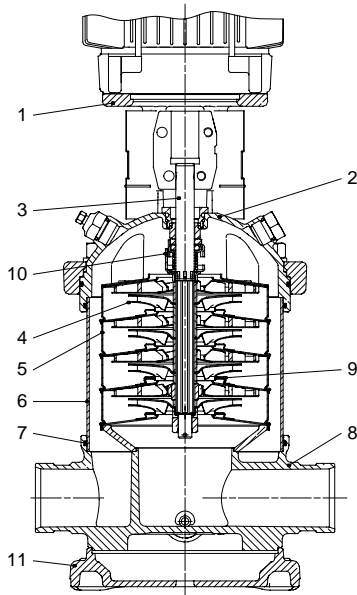


Sectional drawing



TMO2 7196 2803

Type key

Example	CR	T	E	16	-3	A	-P	-A	-E	AUUE
Pump range										
Version with vital parts in titanium										
Pump with integrated frequency control										
Nominal flow rate [m ³ /h]										
Number of impellers										
Code for pump version										
Code for pipework connection										
Code for materials, excl. plastic and rubber parts (A = basic version)										
Code for neck ring material										
Code for shaft seal and plastic/rubber parts, excl. neck ring										

Materials

Pos.	Description	Materials	EN/DIN	AISI/ASTM
1	Pump head	Stainless steel	1.4308	CF 8 (eq. to AISI 304)
2	Pump head cover	Titanium (cast)	- NA -	Grade 5
3	Shaft	Titanium	3.7165	Grade 5
4	Impeller	Titanium	3.7025	Grade 1
5	Intermediate chamber	Titanium	3.7025	Grade 1
6	Outer sleeve	Titanium	3.7035	Grade 1
7	O-ring for outer sleeve	EPDM or FKM		
8	Base	Titanium (cast)	- NA -	Grade 5
9	Neck ring	PTFE		
10	Shaft seal	AUUE/AUVV ¹⁾		
11	Base plate	Stainless steel	1.4408	CF 8M (eq. to AISI 316)
	Rubber parts in pump	Same as in shaft seal		
		EPDM/FKM		
	Bearing rings	Silicon carbide		
	Plugs	Titanium	3.7165	Grade 2
	Staybolts	Stainless steel		AISI 431
	Strap (CRT 8/16)	Titanium	3.7035	Grade 2

- NA - : Standard not available

1) : Standard is hastelloy C-276 / Binderless tungsten carbide / EPDM or FKM.

Shaft seal with titanium metal parts, silicon carbide/silicon carbide/ E/V/K available on request.