

Parts List and Kits

Series C

Contents

Spare Part Kits

CRT4



Spare Part Kits

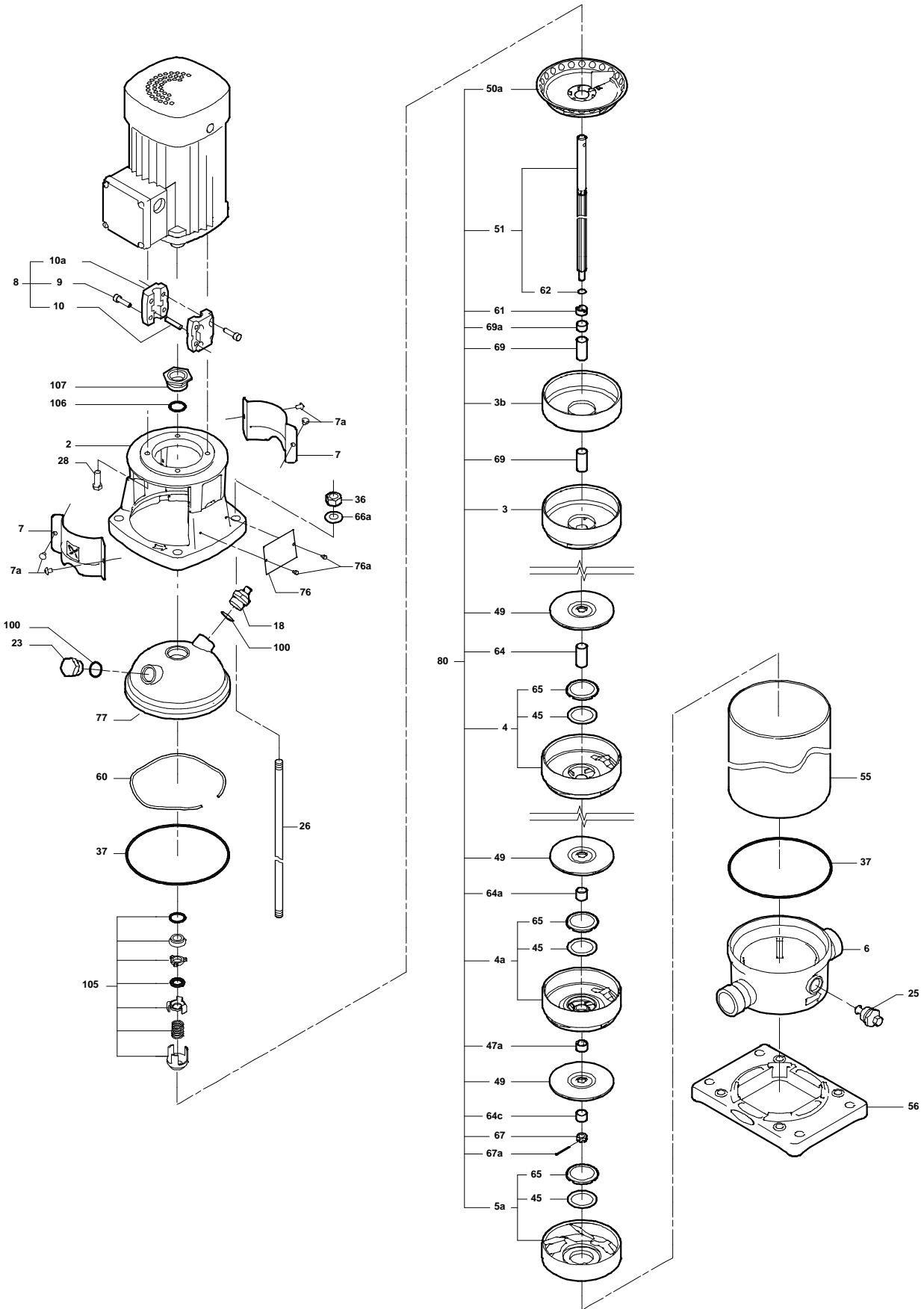
Since certain pump parts can be expected to exhibit wear at the same time as related pump parts, they have been grouped into the following kits for your convenience. The numbers indicate the quantity of the part within each kit. Please order these kits using the kit part number at the top of the columns.

Position Number	Description	Part Number**	Part No. 405346	Part No. 96434802	Part No. 96434803	Part No. 96434804	Part No. 96434805	Stack® Kits (Does not include Seal & Gasket Kit)	
			Shaft Seal & Gasket Kit	Repair Kit	Repair Kit	Repair Kit	Repair Kit		
			All stages	1-6 stages	7-12 stages	14-16 stages	19-22 stages	Model	Part No.
4a	Bearing Chamber	415503		1	2	3	4		
37	Sleeve Gasket Ø138 / Ø130 x 0.5mm	96026069	2	2	2	2	2	CRT4-20/1	415523
38	Drain Plug O-Ring (EPDM) Ø16.3 x 2.4mm	ID1288		1	1	1	1	CRT4-20	415524
45	Neck Ring	410038		5	10	13	18	CRT4-30	415525
47a	Bearing Ring Ø15.9 / Ø10.9 x 11mm	96430109		1	2	3	4	CRT4-40	415526
61	Spacer for Shaft Seal	410512		1	1	1	1	CRT4-50	415527
64c	Spacer	400584		1	1	1	1	CRT4-60	415528
65	Neck Ring Retainer	410504		5	10	13	18	CRT4-80/7	415529
67	Slotted M8 Lock Nut	96427486		1	1	1	1	CRT4-80	415530
67a	Cotter Pin Ø2.5 x 20mm for Lock Nut	96427488		1	1	1	1	CRT4-100	415531
102	O-Ring (EPDM) Ø18 x 2.5mm	ID2041	1					CRT4-120	415532
103	Upper Seal Ring 12mm	980760	1					CRT4-160/14	415533
104	Lower Seal Ring 12mm	980758	1						
107	O-Ring (EPDM) Ø11.5 x 4.3mm	ID2040	1					CRT4-160*	415534
108	Seal Spring 12mm	980751	1					CRT4-190*	415535
111	Upper Seal Driver 12mm	980747	1					CRT4-220*	415536
112	Lower Seal Driver 12mm	980749	1						

*For 50 Hz operation only.

**The parts listed above are in kits being produced as of January, 2000. Since pumps (and their components) are redesigned from time to time, a kit you receive may contain different parts than those listed above. Parts are only available in kits.

Exploded view (tm027833 3304)



TM027833