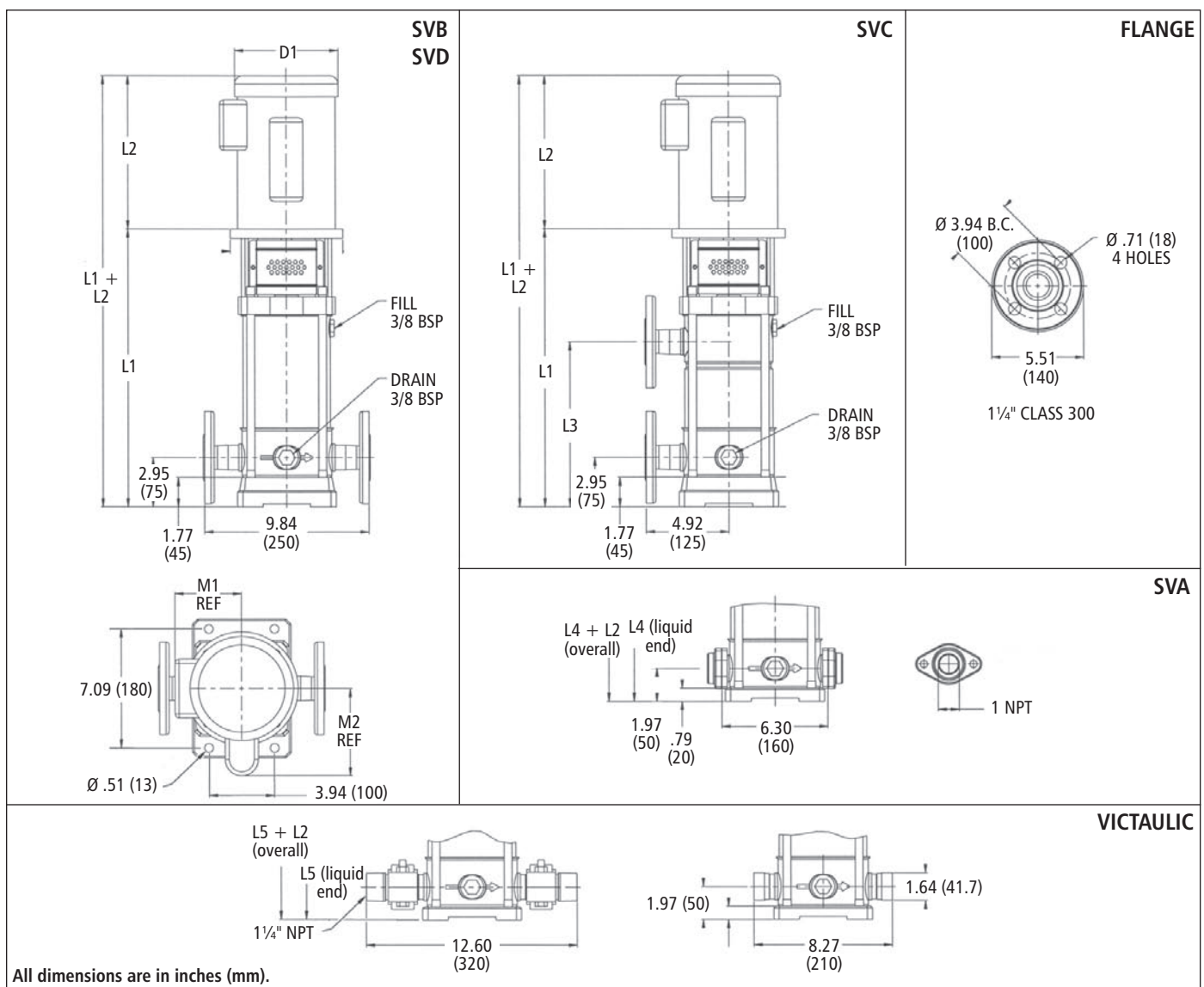


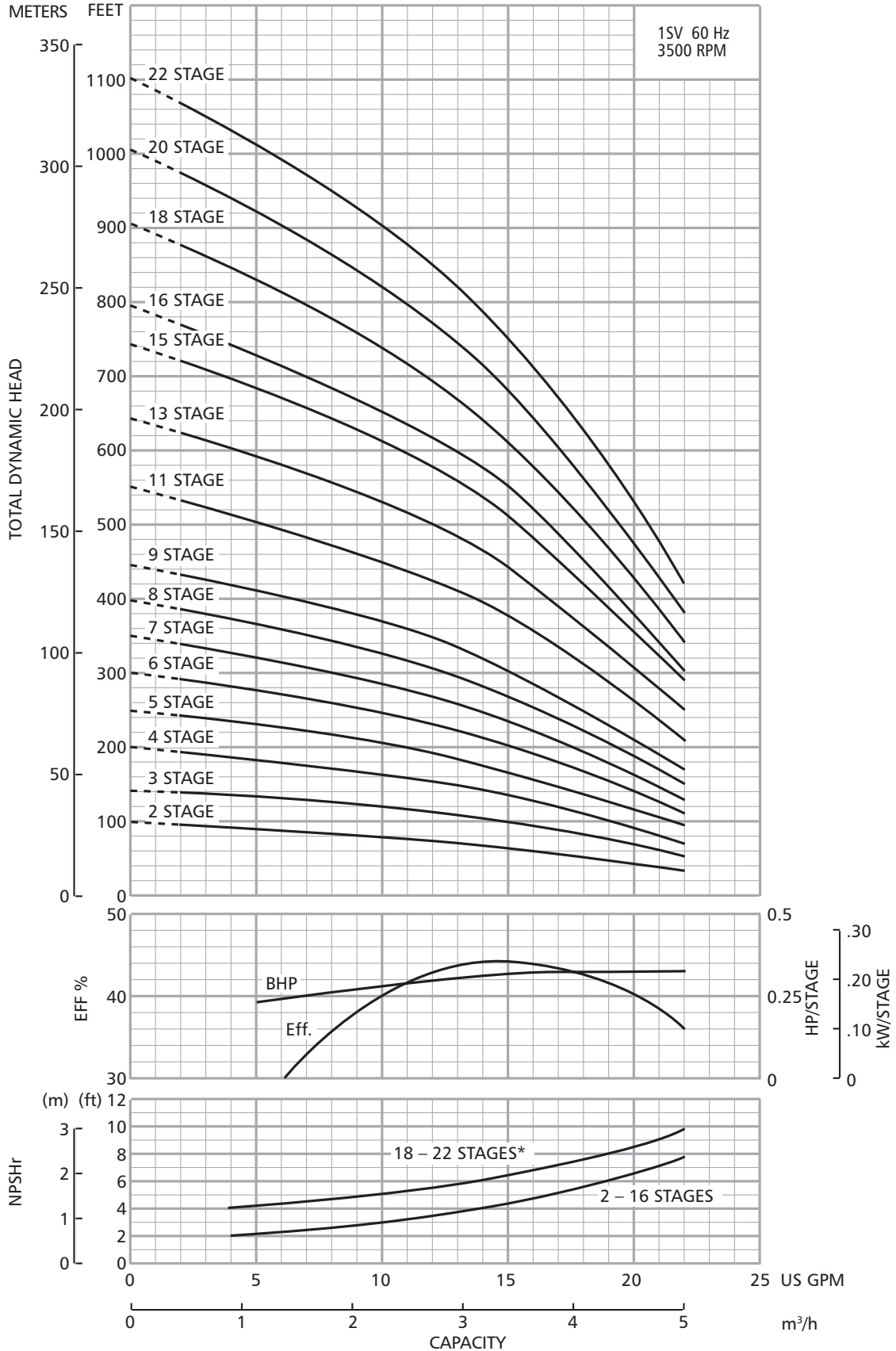
Dimensions and Weights

1SV Series 3500 RPM



Stage	Frame (1-Phase)		Frame (3-Phase)		L2				L3			L4		L5		M1 (ref.)		M2 (ref.)		D1 (max.)		Weights (lb)								
	ODP	TEFC	ODP	TEFC	HP	L1	ODP	TEFC	L3	L4	L5	M1 (ref.)	M2 (ref.)	ODP	TEFC	Liquid End	ODP	TEFC	ODP	TEFC	Liquid End	ODP	TEFC							
2	56C	56C	56C	56C	1/2	12.69	9.16	9.29	11.19	8.88	14.63	14.63	5.06	5.19	6.19	7.19	7.19	5.73	5.55	7.16	8.50	8.50	21	22	22					
3					3/4	13.63	10.79	9.91															12.69	12.69	22	24	28			
4					1	14.63	10.66	11.19															13.63	13.63	23	32	40			
5					1 1/2	15.63	10.67	11.19	8.88	14.63	14.63	5.73	5.55	7.19	7.19	25	40	43												
6					2	16.63	11.19	12.06	9.88	15.63	15.63					27	43	51												
7					182-4TC	182-4TC	182-4TC	182-4TC	5	17.56	11.19	12.06	10.81	16.63	16.63	6.87	6.62	8.50	8.50	8.50	8.50	6.87	6.62	8.50	8.50	28	75	85		
8										18.56	11.57	13.44	11.81	17.56	17.56											29				
9										19.56			12.81	18.56	18.56											30			51	56
11										20.50			14.75	20.50	20.50											33				
13					23.50	16.75	15.43	15.43	22.50	6.87			6.62	8.50	8.50	8.50	8.50	35												
15					25.44	18.69			24.44		37																			
16	26.44	19.69	25.81	39																										
18	28.44	27.50	27.50	41																										
20	213TC	213TC	213TC	213TC	7 1/2	30.44	13.93	15.43	19.69	29.50	31.50	6.87	6.62	8.50	8.50	8.50	8.50	8.50	8.50	8.50	8.50	101	124							
22						32.44																		31.50	44	46				

1SV Curve 3500 RPM



* For vertical shaft installation only.