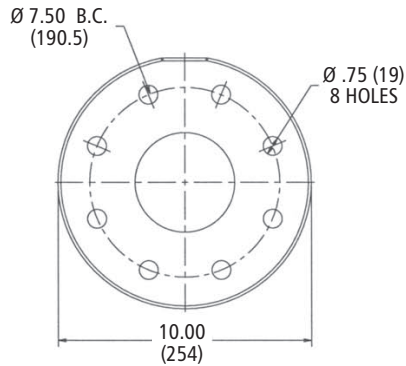
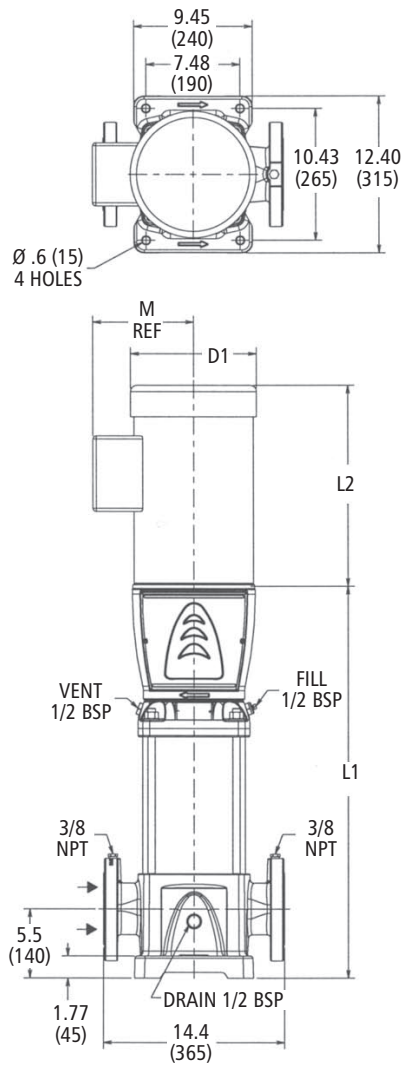
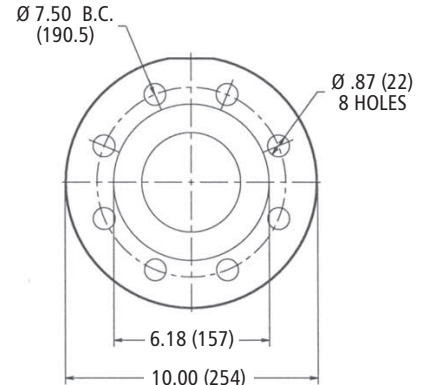


Dimensions and Weights

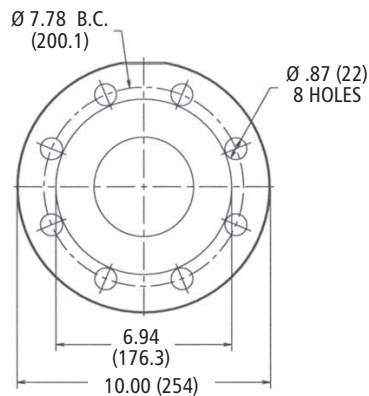
66SV Series 3500 RPM



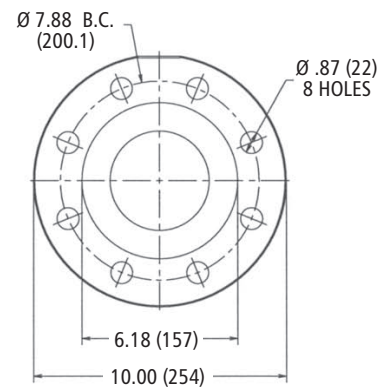
Cast Iron
4" Class 125 R.F.
(1 – 3 Stages)



316SS
4" Class 150 R.F.
(1 – 3 Stages)



Cast Iron
4" Class 250 R.F.
(4 – 6 Stages)



316SS
4" Class 300 R.F.
(4 – 6 Stages)

All dimensions are in inches (mm).

Stage	Frame (1-Phase)		Frame (3-Phase)		HP	L1	L2		M (ref.)	D1		Weights (lb)		
	ODP	TEFC	ODP	TEFC			ODP	TEFC		ODP	TEFC	Liquid End	ODP	TEFC
1/1	213TC		213TC	215TC	10	23.19	15.56	15.5	8.06	10.19	10.25	185	130	151
1			215TC	254TC	15								128	250
2/2			254TC	256TC	20	26.75	23.38	13.12	13.25	15.31	196	220	280	
2/1					25	28.31						18	210	240
3/2			284TC		30	31.81	20.12	23.38	13.12	15.31	223	325	445	
3/1					40							35.38	328	448
3			326TSC		50	34.88	22.5	27.22	14.96	13.25	242	382	592	
4/2												326TSC	364TSC	60
4/1			365TSC		75	41.94	24.12	27.22	14.96	15.12	266			
4												365TSC		75
5/2			365TSC		75	41.94	24.12	27.22	14.96	15.12	266			
5/1												365TSC		75
5			365TSC		75	41.94	24.12	27.22	14.96	15.12	266			
6/2												365TSC		75
6/1			365TSC		75	41.94	24.12	27.22	14.96	15.12	266			
6												365TSC		75

66SV Curve 3500 RPM

