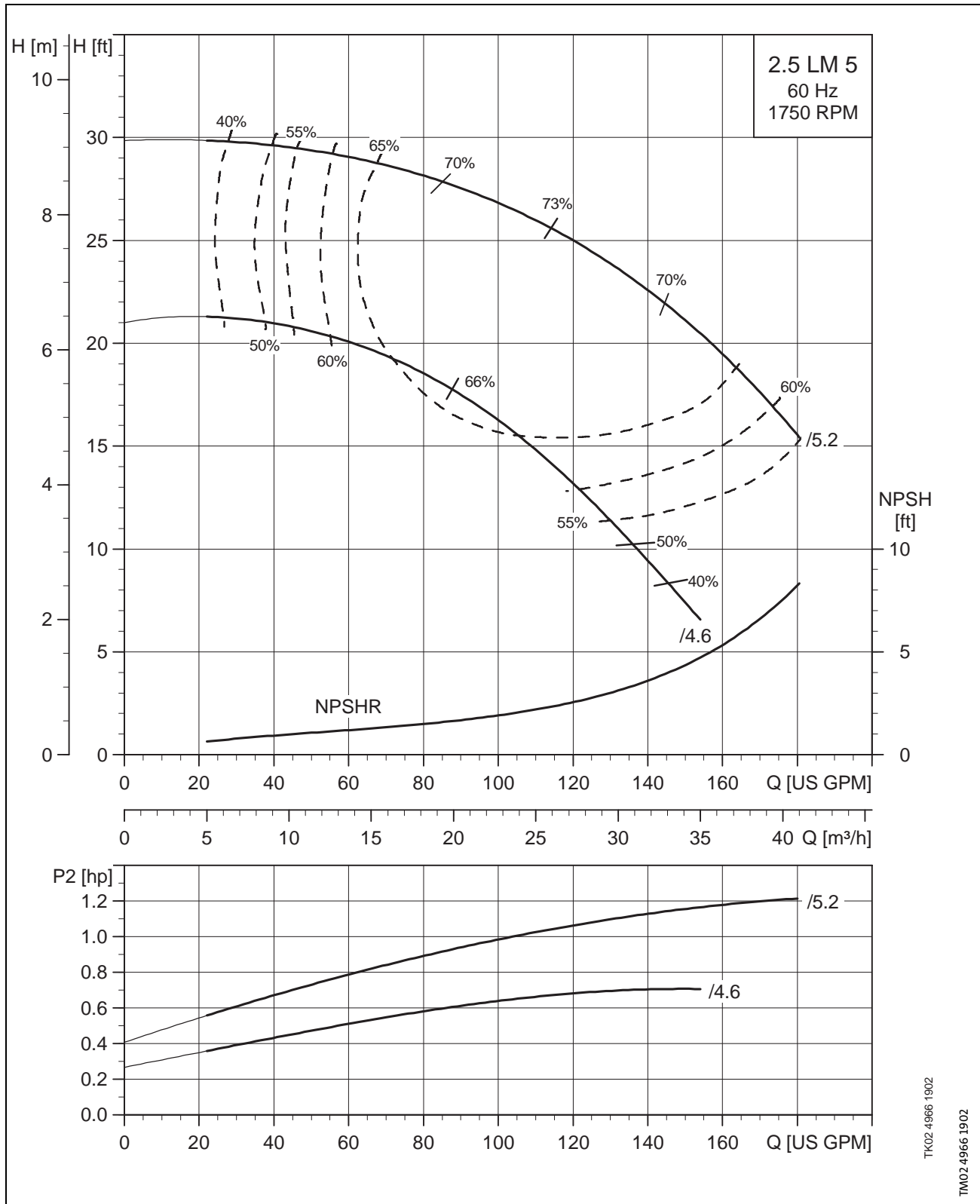
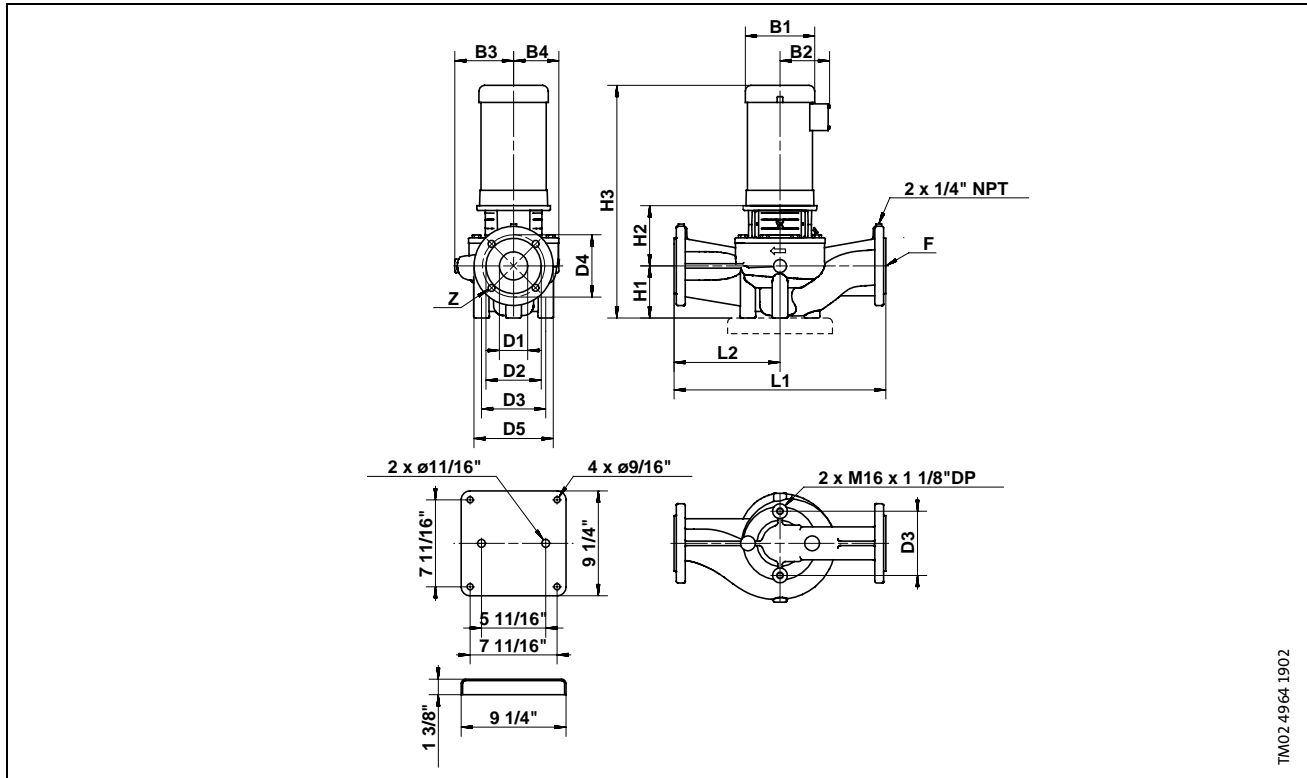


2.5 LM 5/XX



2.5 LM 5/XX



TM02.4964.1902

Electrical Data, Weights and Dimensions

| Pump Type | HP | Mtr S.F. | PH | NEMA Frame Size | Volts | Dimensions [Inches] (mm) | | | | Z [Qty.] | Dimensions [inches] (mm) | | | | | | | | Net Wt. | |
|--------------|-----|----------|----|-----------------|-----------------|--------------------------|---------------|-------------|---------|--------------|--------------------------|--------|-------------|-------------|--------------|-------------|----------|----------|-------------|-----|
| | | | | | | D1 | D3 | D4 | D5 | | B1 | B2 | B3 | B4 | H1 | H2 | H3 | L1 | | L2 |
| 2.5 LM 5/4.6 | .75 | 1.15 | 1 | 56C | 115/230 | 2 1/2 (64) | 5 11/16 (145) | 5 1/2 (140) | 7 (178) | 4 x 5/8 (16) | 6 1/4 | 4 7/16 | 5 1/8 (130) | 4 3/8 (111) | 4 9/16 (116) | 5 1/2 (140) | 20 15/16 | 19 (483) | 9 1/2 (241) | 115 |
| | .75 | 1.25 | 3 | 56C | 208-230/460,575 | 2 1/2 (64) | 5 11/16 (145) | 5 1/2 (140) | 7 (178) | 4 x 5/8 (16) | 6 1/4 | 4 7/16 | 5 1/8 (130) | 4 3/8 (111) | 4 9/16 (116) | 5 1/2 (140) | 20 1/16 | 19 (483) | 9 1/2 (241) | 108 |
| 2.5 LM 5/5.2 | 1.5 | 1.15 | 1 | 56C | 115/208-230 | 2 1/2 (64) | 5 11/16 (145) | 5 1/2 (140) | 7 (178) | 4 x 5/8 (16) | 7 1/4 | 5 1/8 | 5 1/8 (130) | 4 3/8 (111) | 4 9/16 (116) | 5 1/2 (140) | 21 7/16 | 19 (483) | 9 1/2 (241) | 118 |
| | 1.5 | 1.15 | 3 | 56C | 208-230/460,575 | 2 1/2 (64) | 5 11/16 (145) | 5 1/2 (140) | 7 (178) | 4 x 5/8 (16) | 7 1/4 | 5 1/8 | 5 1/8 (130) | 4 3/8 (111) | 4 9/16 (116) | 5 1/2 (140) | 20 7/16 | 19 (483) | 9 1/2 (241) | 110 |

Technical Data

| | | | |
|------------------------------|---------------------------------|----------------------------------|--------------------------|
| Flow Range: | 30-175 U.S. GPM | Temperature Range: | 5°-250°(-15°121°C) |
| Minimum Pumping Rate: | 15 U.S. GPM | Maximum Working Pressure: | 175 PSI |
| Head Range: | 8-30 FEET | Flanges: | 2 1/2" ANSI 125 LB. F.F. |
| Motors: | ODP (STANDARD); TEFC (OPTIONAL) | | |