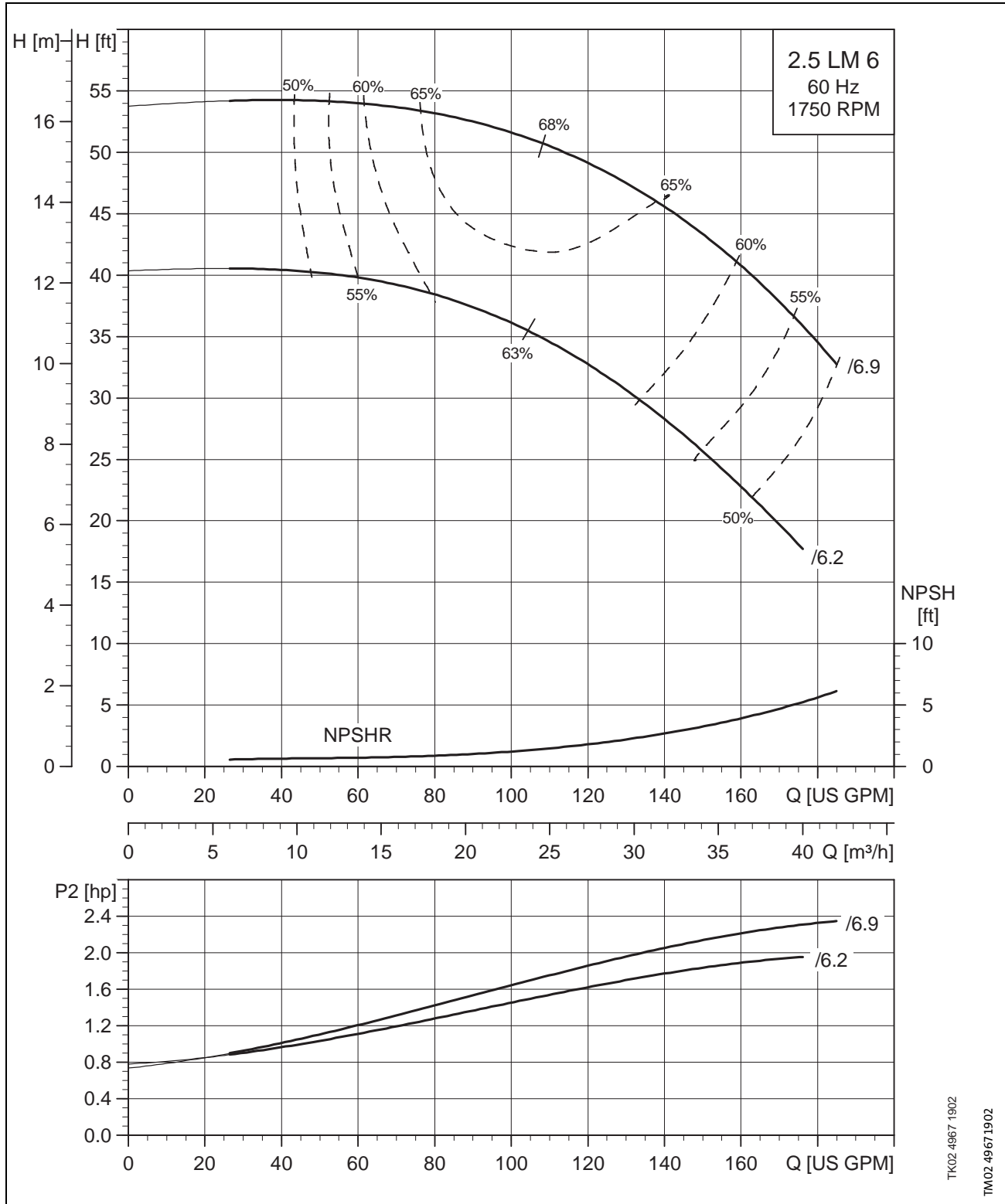
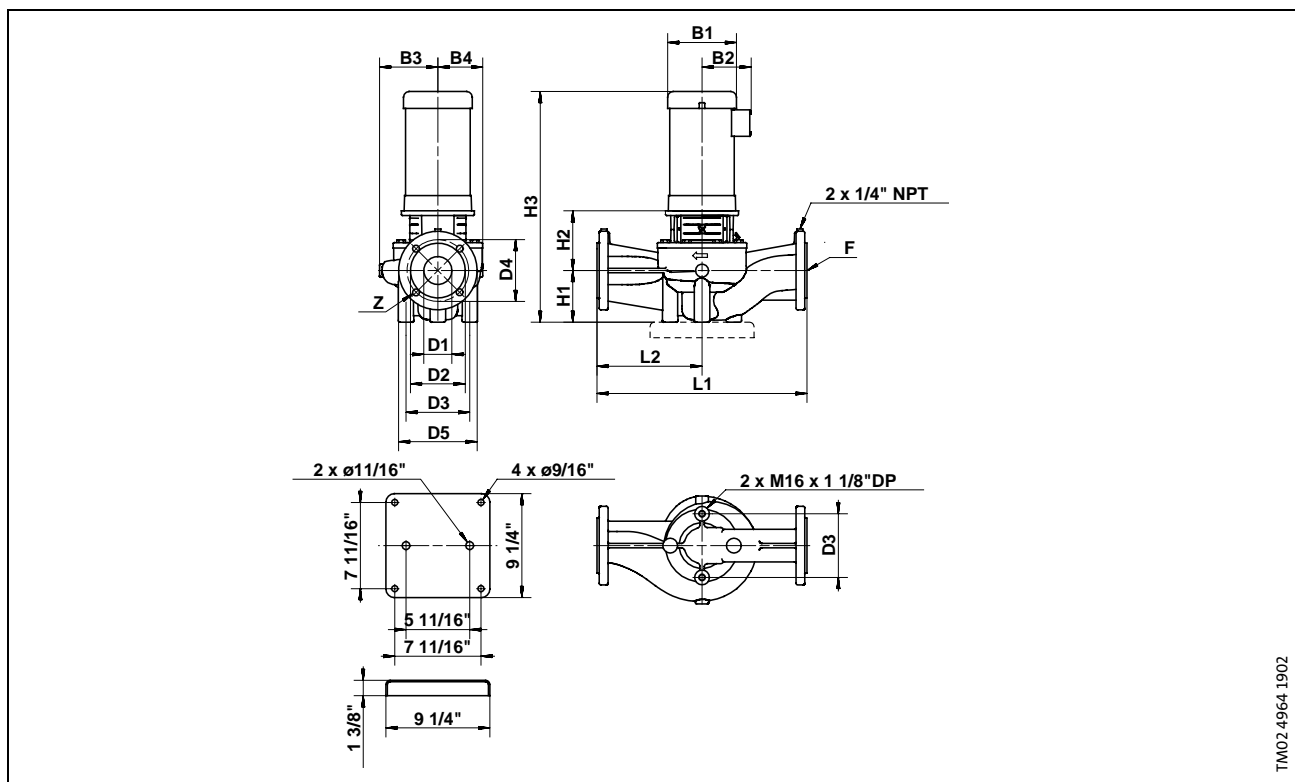


2.5 LM 6/XX



2.5 LM 6/XX



TM02 4964 1902

Electrical Data, Dimensions and Weights

Pump Type	HP	Mtr S.F.	PH	NEMA Frame Size	Volts	Dimensions [Inches] (mm)				Z [Qty.]	Dimensions [inches] (mm)								Net Wt.	
						D1	D3	D4	D5		B1	B2	B3	B4	H1	H2	H3	L1		L2
2.5 LM6/6.2	2.0	1.15	1	56C	115/230	2 1/2 (64)	5 11/16 (145)	5 1/2 (140)	7 (178)	4 x 5/8 (16)	7 1/4 (187)	5 1/8 (132)	6 3/16 (157)	5 15/16 (151)	4 9/16 (126)	5 1/2 (140)	24	19 (483)	9 1/2 (241)	126
	2.0	1.15	3	56C	208-230/460,575	2 1/2 (64)	5 11/16 (145)	5 1/2 (140)	7 (178)	4 x 5/8 (16)	7 1/4 (187)	5 1/8 (132)	6 3/16 (157)	5 15/16 (151)	4 9/16 (126)	5 1/2 (140)	22 5/8 (578)	19 (483)	9 1/2 (241)	113
2.5 LM 6/6.9	3.0	1.15	1	184TC	115/230	2 1/2 (64)	5 11/16 (145)	5 1/2 (140)	7 (178)	4 x 5/8 (16)	8 1/2 (216)	5 7/8 (146)	6 3/16 (157)	5 15/16 (151)	4 9/16 (126)	6 1/16 (154)	24 9/16 (625)	19 (483)	9 1/2 (241)	180
	3.0	1.15	3	182TC	208-230/460,575	2 1/2 (64)	5 11/16 (145)	5 1/2 (140)	7 (178)	4 x 5/8 (16)	7 1/8 (184)	5 1/8 (132)	6 3/16 (157)	5 15/16 (151)	4 9/16 (126)	6 1/16 (154)	23 3/16 (591)	19 (483)	9 1/2 (241)	158

Technical Data

Flow Range:	30-185 U.S. GPM	Temperature Range:	5°-250°(-15°-121°C)
Minimum Pumping Rate:	15 U.S. GPM	Maximum Working Pressure:	175 PSI
Head Range:	18-54 FEET	Flanges:	2 1/2" ANSI 125 LB. F.F.
Motors:	ODP (STANDARD); TEFC (OPTIONAL)		