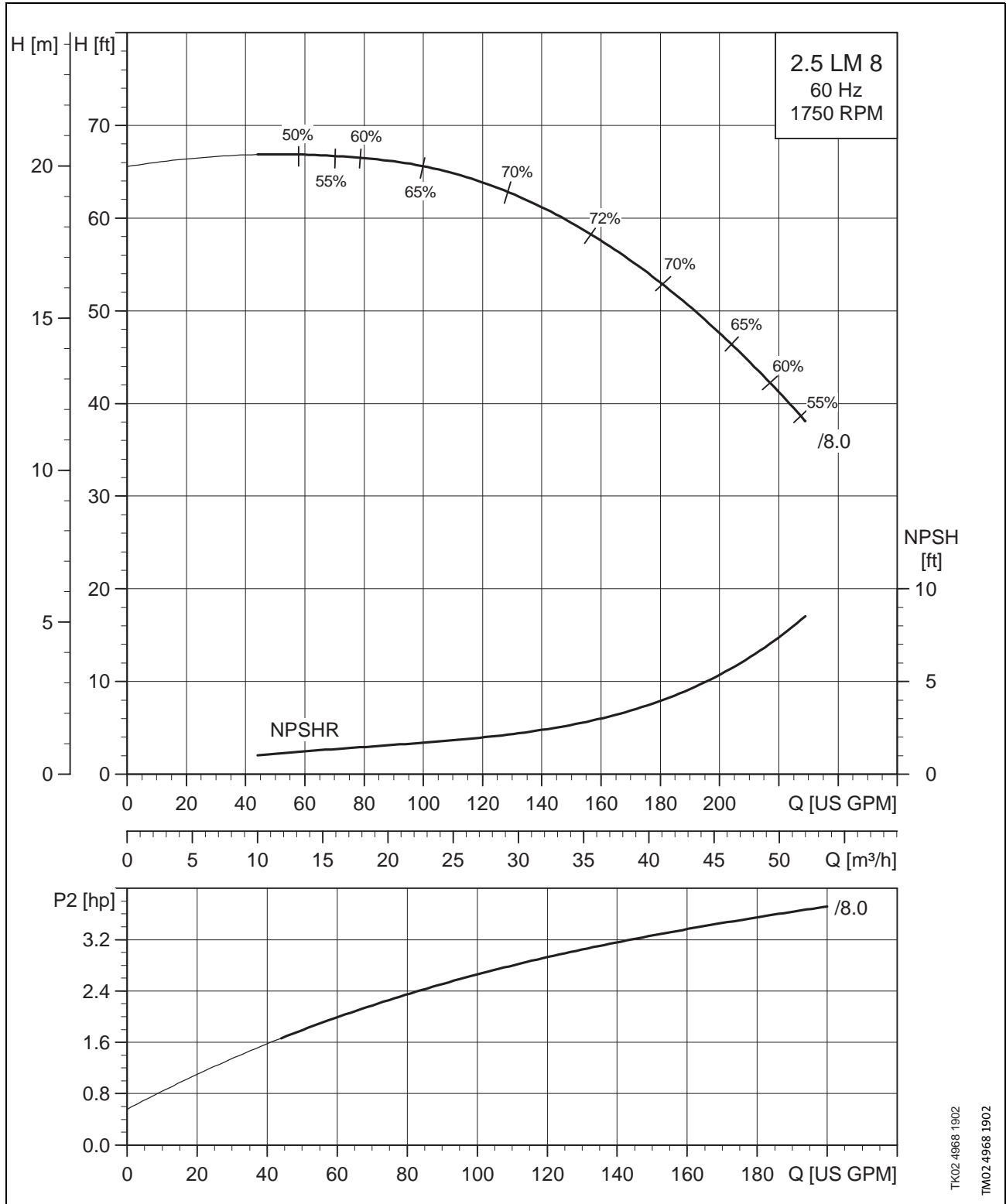
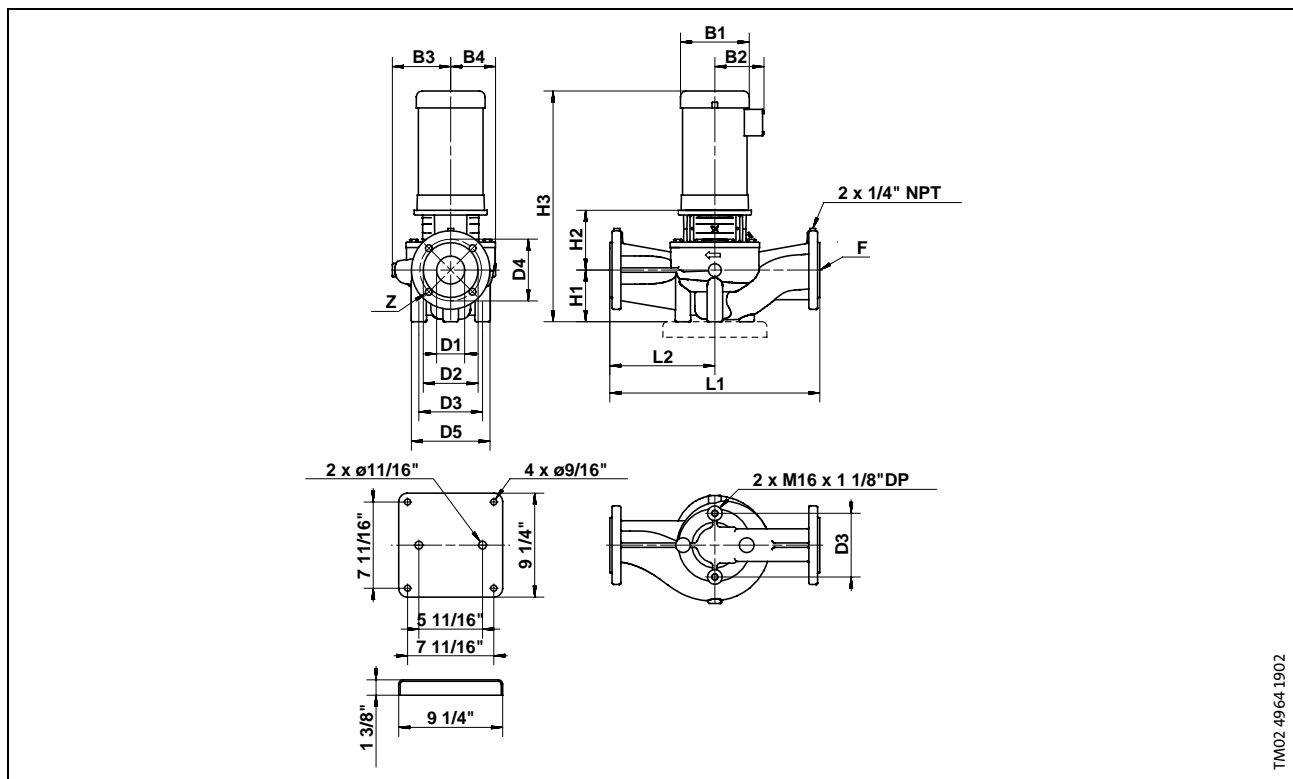


2.5 LM 8/XX



2.5 LM 8/XX



TM02 4964.1902

Electrical Data, Dimensions and Weights

Pump Type	HP	Mtr S.F.	PH	NEMA Frame Size	Volts	Dimensions [Inches] (mm)				Z [Qty.]	Dimensions [inches] (mm)								Net Wt.	
						D1	D3	D4	D5		B1	B2	B3	B4	H1	H2	H3	L1		L2
2.5 LM 8/8.0	5.0	1.15	1	215TC	230	2 1/2 (64)	5 11/16 (145)	5 1/2 (140)	7 (178)	4 x 5/8 4x(16)	10 1/4	7 3/8	6 3/16 (157)	5 15/16 (151)	4 9/16 (116)	7 3/8 (187)	28	19 (483)	9 1/2 (241)	194
	5.0	1.15	3	184TC	208-230/460,575	2 1/2 (64)	5 11/16 (145)	5 1/2 (140)	7 (178)	4 x 5/8 4x(16)	8 1/2	5 7/8	6 3/16 (157)	5 15/16 (151)	4 9/16 (116)	7 3/8 (187)	25 7/8	19 (483)	9 1/2 (241)	166

Technical Data

Flow Range:	30-220 U.S. GPM	Temperature Range:	5°-250°(-15°-121°C)
Minimum Pumping Rate:	15 U.S. GPM	Maximum Working Pressure:	175 PSI
Head Range:	40-66 FEET	Flanges:	2 1/2" ANSI 125 LB. F.F.
Motors:	ODP (STANDARD); TEFC (OPTIONAL)		