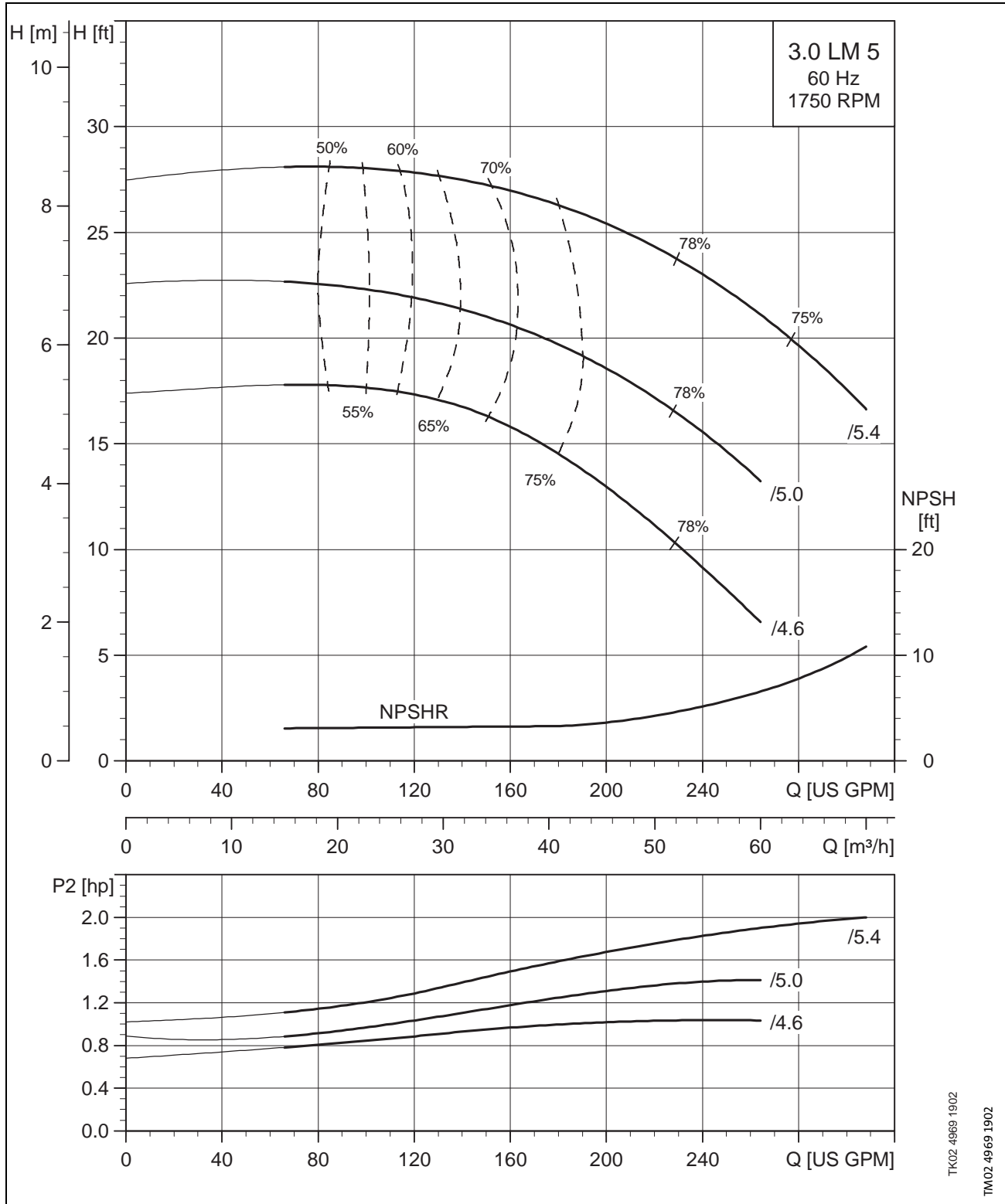
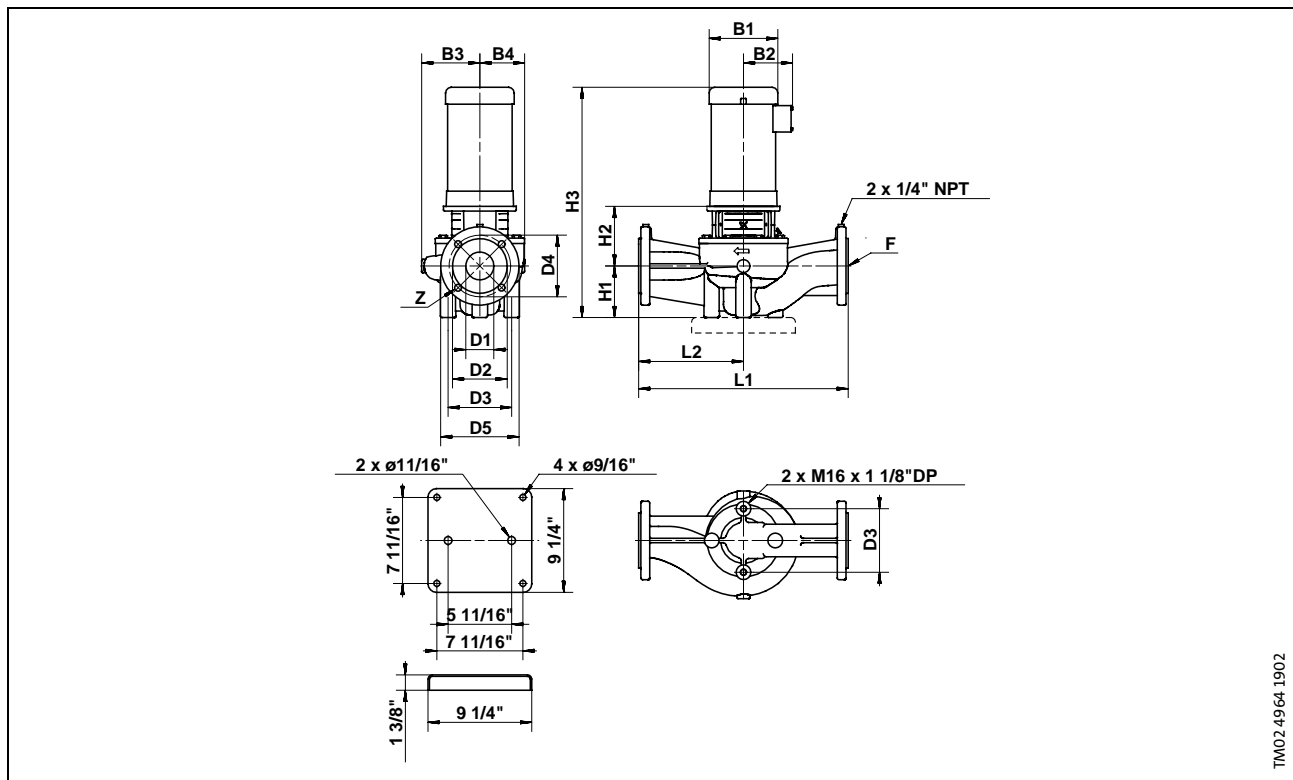


3.0 LM 5/XX



3.0 LM 5/XX



Electrical Data, Dimensions and Weights

Pump Type	HP	Mtr S.F.	PH	NEMA Frame Size	Volts	Dimensions [Inches] (mm)				Z [Qty.]	Dimensions [Inches] (mm)							Net Wt.		
						D1	D3	D4	D5		B1	B2	B3	B4	H1	H2	H3		L1	L2
3.0 LM 5/4.6	1.0	1.15	1	56C	115/230	3 (76)	5 11/16 (145)	6 (152)	7 1/2 (191)	4 x 5/8 4x(16)	7 1/4	5 1/8	6 1/4 (159)	4 7/8 (124)	5 1/8 (130)	5 1/2 (140)	22	21 (533)	10 1/2 (267)	123
	1.0	1.25	3	56C	208-230/460,575	3 (76)	5 11/16 (145)	6 (152)	7 1/2 (191)	4 x 5/8 4x(16)	7 1/4	5 1/8	6 1/4 (159)	4 7/8 (124)	5 1/8 (130)	5 1/2 (140)	21	21 (533)	10 1/2 (267)	116
3.0 LM 5/5.0	1.5	1.15	1	56C	115/208-230	3 (76)	5 11/16 (145)	6 (152)	7 1/2 (191)	4 x 5/8 4x(16)	7 1/4	5 1/8	6 1/4 (159)	4 7/8 (124)	5 1/8 (130)	5 1/2 (140)	22	21 (533)	10 1/2 (267)	124
	1.5	1.15	3	56C	208-230/460,575	3 (76)	5 11/16 (145)	6 (152)	7 1/2 (191)	4 x 5/8 4x(16)	7 1/4	5 1/8	6 1/4 (159)	4 7/8 (124)	5 1/8 (130)	5 1/2 (140)	21	21 (533)	10 1/2 (267)	117
3.0 LM 5/5.4	2.0	1.15	1	56C	115/230	3 (76)	5 11/16 (145)	6 (152)	7 1/2 (191)	4 x 5/8 4x(16)	7 1/4	5 1/8	6 1/4 (159)	4 7/8 (124)	5 1/8 (130)	5 1/2 (140)	22 7/8	21 (533)	10 1/2 (267)	180
	2.0	1.15	3	56C	208-230/460,575	3 (76)	5 11/16 (145)	6 (152)	7 1/2 (191)	4 x 5/8 4x(16)	7 1/4	5 1/8	6 1/4 (159)	4 7/8 (124)	5 1/8 (130)	5 1/2 (140)	22	21 (533)	10 1/2 (267)	150

Technical Data

Flow Range:	60-320 U.S. GPM	Temperature Range:	5°-250°(-15°-121°C)
Minimum Pumping Rate:	25 U.S. GPM	Maximum Working Pressure:	175 PSI
Head Range:	6-28 FEET	Flanges:	2 1/2" ANSI 125 LB. F.F.
Motors:	ODP (STANDARD); TEFC (OPTIONAL)		