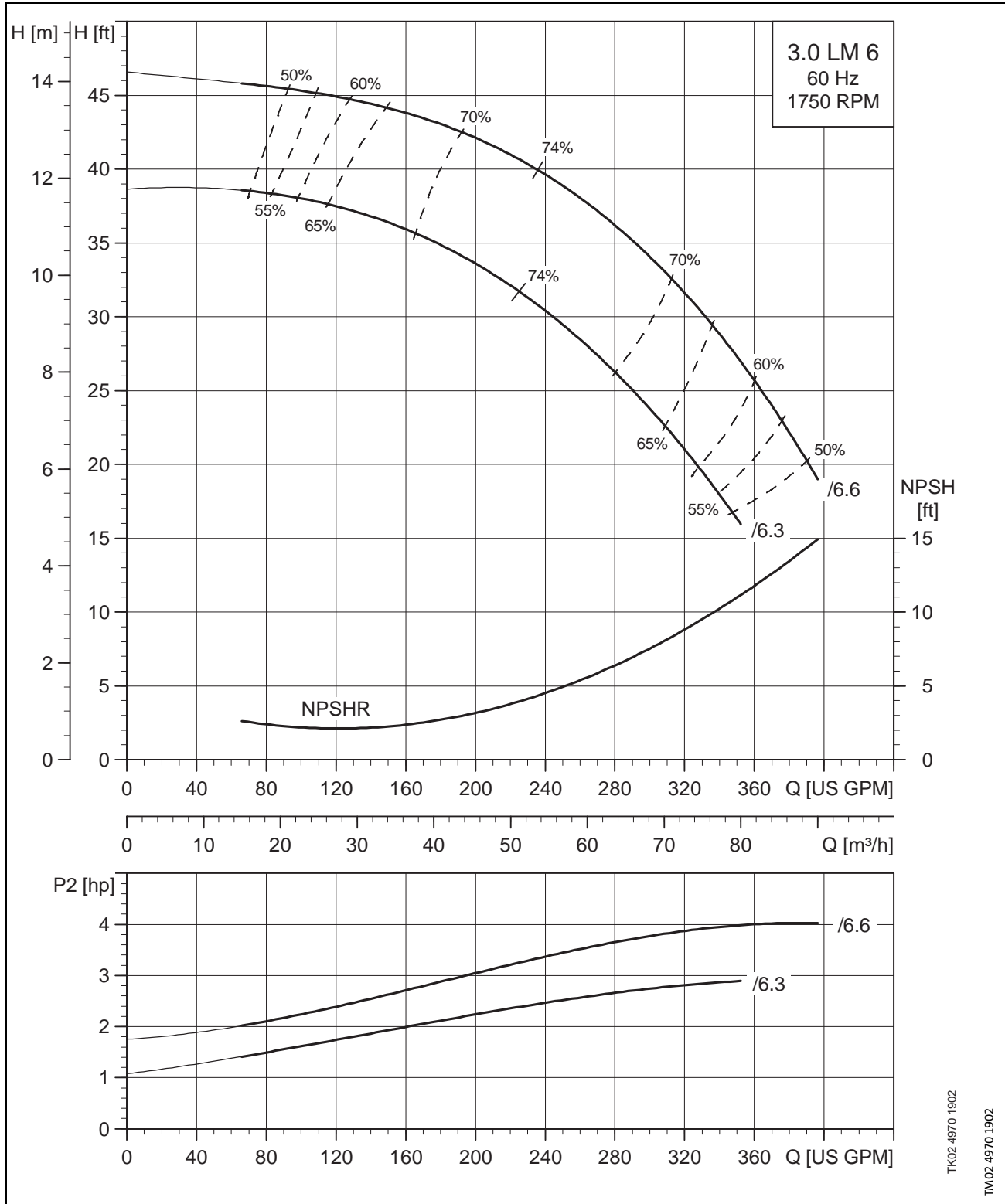
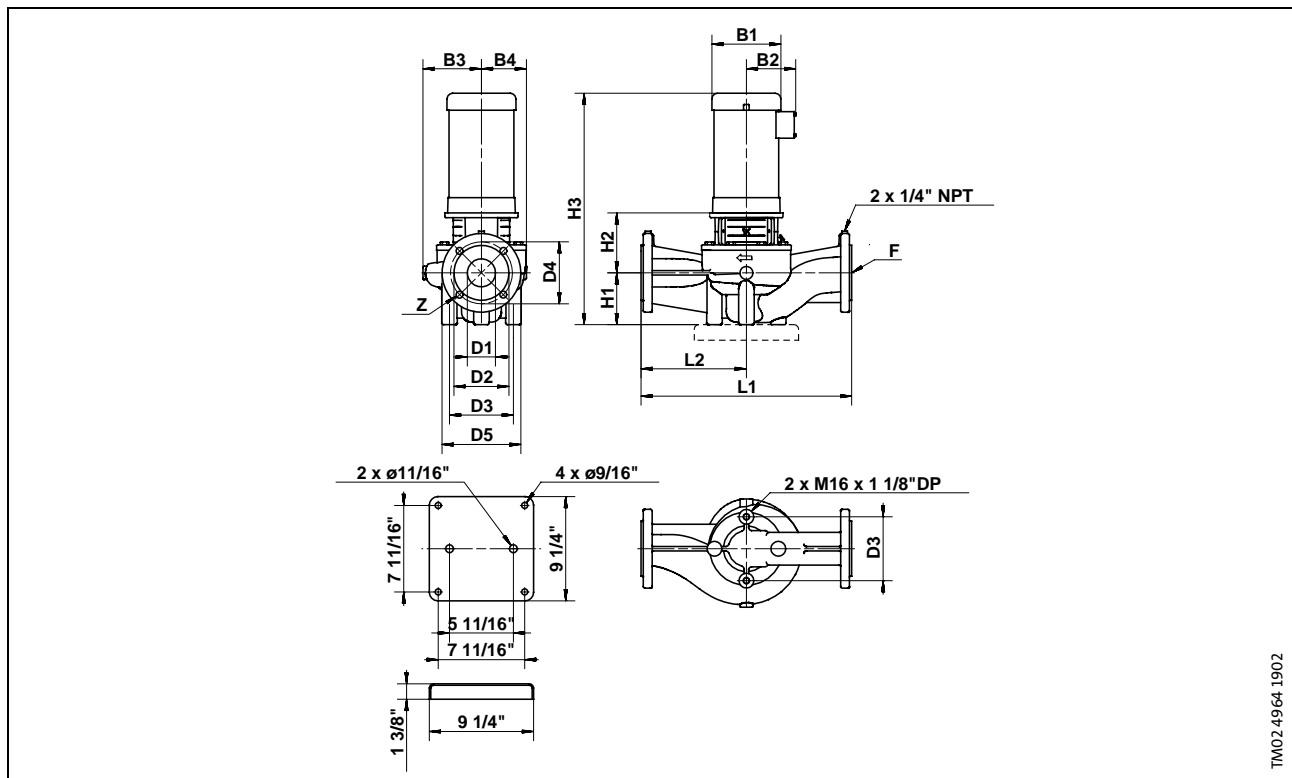


### 3.0 LM 6/XX



### 3.0 LM 6/XX



### Electrical Data, Dimensions and Weights

Pump Type	HP	Mtr S.F.	PH	NEMA Frame Size	Volts	Dimensions [Inches] (mm)				Z [Qty.]	Dimensions [inches] (mm)								Net Wt.	
						D1	D3	D4	D5		B1	B2	B3	B4	H1	H2	H3	L1		L2
3.0 LM 6/6.3	3.0	1.15	1	184TC	115/230	3 (76)	5 11/16 (145)	6 (152)	7 1/2 (191)	4 x 5/8 4x(16)	8 1/2	5 7/8	7 1/8 (181)	5 15/16 (151)	5 1/8 (130)	7 9/16 (192)	26 5/8	21 (533)	10 1/2 (267)	180
	3.0	1.15	3	182TC	208-230/460,575	3 (76)	5 11/16 (145)	6 (152)	7 1/2 (191)	4 x 5/8 4x(16)	7 1/4	5 1/8	7 1/8 (181)	5 15/16 (151)	5 1/8 (130)	7 9/16 (192)	25 1/4	21 (533)	10 1/2 (267)	158
3.0 LM 6/6.6	5.0	1.15	1	215TC	230	3 (76)	5 11/16 (145)	6 (152)	7 1/2 (191)	4 x 5/8 4x(16)	10 1/8	7 3/8	7 1/8 (181)	5 15/16 (151)	5 1/8 (130)	8 7/8 (225)	30 1/8	21 (533)	10 1/2 (267)	200
	5.0	1.15	3	184TC	208-230/460,575	3 (76)	5 11/16 (145)	6 (152)	7 1/2 (191)	4 x 5/8 4x(16)	8 1/2	5 7/8	7 1/8 (181)	5 15/16 (151)	5 1/8 (130)	8 7/8 (225)	28	21 (533)	10 1/2 (267)	175

### Technical Data

<b>Flow Range:</b>	60-350 U.S. GPM	<b>Temperature Range:</b>	5°-250°(-15°121°C)
<b>Minimum Pumping Rate:</b>	25 U.S. GPM	<b>Maximum Working Pressure:</b>	175 PSI
<b>Head Range:</b>	20-46 FEET	<b>Flanges:</b>	3" ANSI 125 LB. F.F.
<b>Motors:</b>	ODP (STANDARD); TEFC (OPTIONAL)		