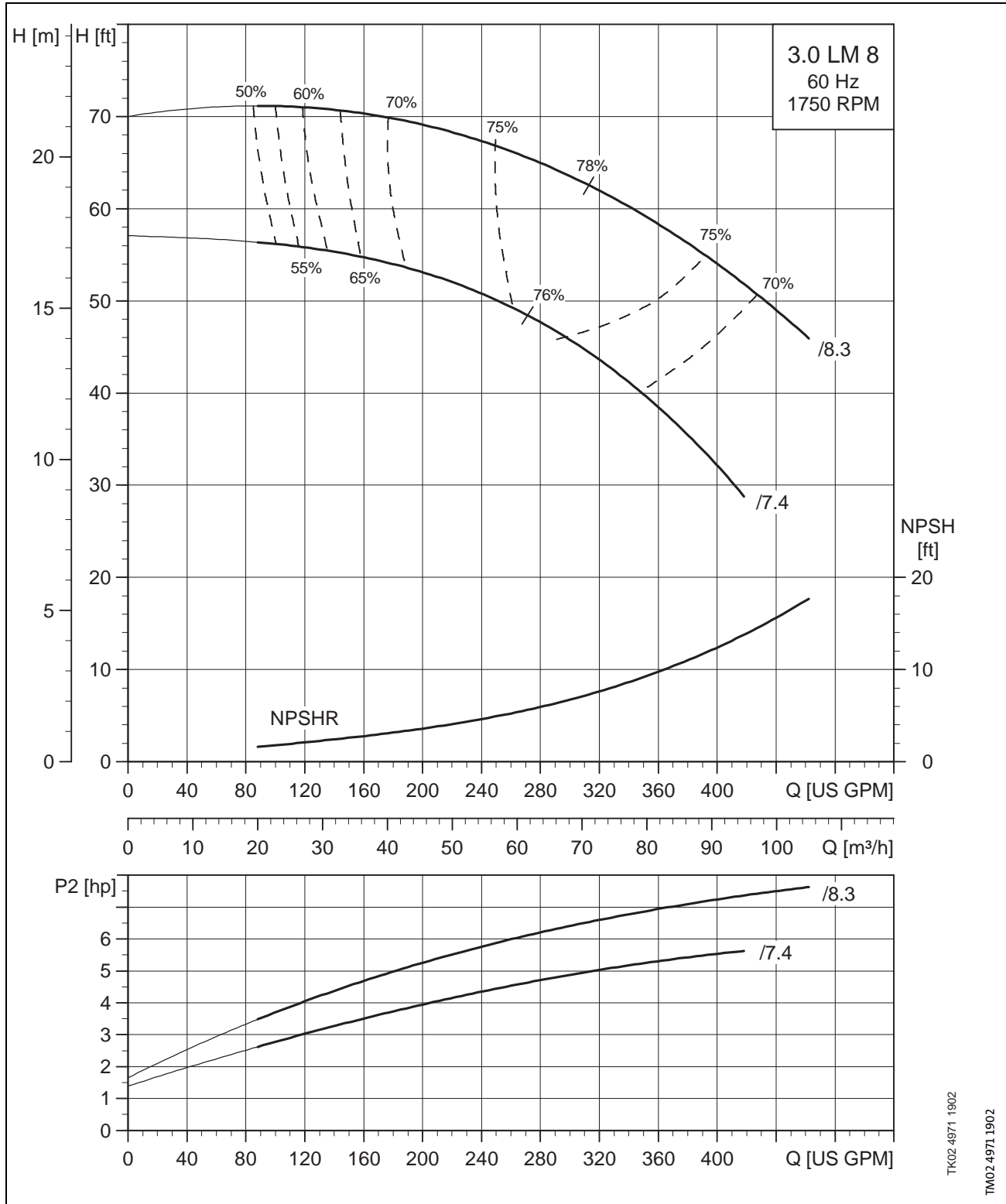
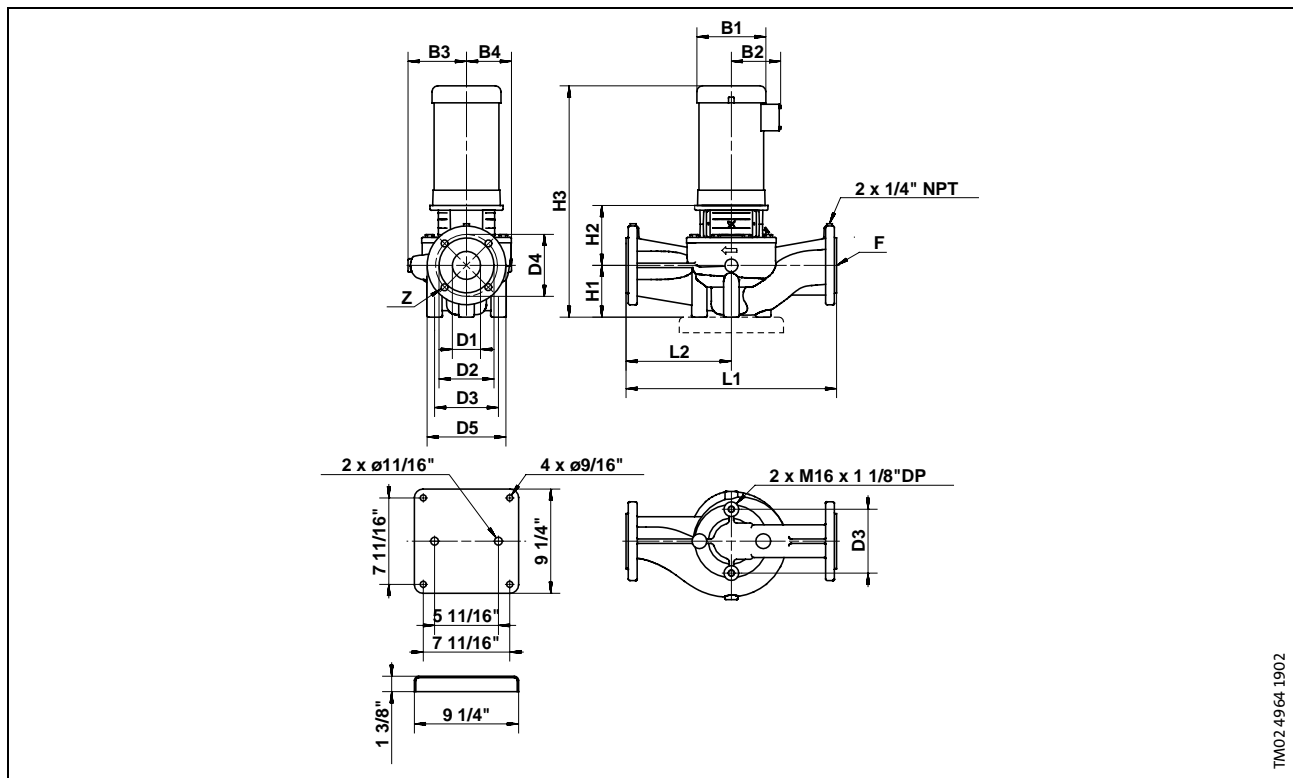


3.0 LM 8/XX



3.0 LM 8/XX



Electrical Data, Dimensions and Weights

Pump Type	HP	Mtr S.F.	PH	NEMA Frame Size	Volts	Dimensions [Inches] (mm)				Z [Qty.]	Dimensions [inches] (mm)								Net Wt.	
						D1	D3	D4	D5		B1	B2	B3	B4	H1	H2	H3	L1		L2
3.0 LM 8/7.4	5.0	1.15	1	215TC	230	3 (76)	5 11/16 (145)	6 (152)	7 1/2 (191)	4 x 5/8 4x(16)	10 1/4	7 3/8	7 1/8 (181)	5 15/16 (151)	5 1/8 (130)	8 7/8 (225)	30 1/8	21 (267)	10 1/2 (267)	200
	5.0	1.15	3	184TC	208-230/460,575	3 (76)	5 11/16 (145)	6 (152)	7 1/2 (191)	4 x 5/8 4x(16)	8 1/2	5 7/8	7 1/8 (181)	5 15/16 (151)	5 1/8 (130)	8 7/8 (225)	28	21 (267)	10 1/2 (267)	166
3.0 LM 8/8.3	7.5	1.15	1	215TC	230	3 (76)	5 11/16 (145)	6 (152)	7 1/2 (191)	4 x 5/8 4x(16)	10 3/8	7 7/16	7 1/8 (181)	5 15/16 (151)	5 1/8 (130)	9 7/8 (251)	31 11/16	21 (267)	10 1/2 (267)	214
	7.5	1.15	3	215TC	208-230/460,575	3 (76)	5 11/16 (145)	6 (152)	7 1/2 (191)	4 x 5/8 4x(16)	10 3/16	7 3/8	7 1/8 (181)	5 15/16 (151)	5 1/8 (130)	9 7/8 (251)	30 9/16	21 (267)	10 1/2 (267)	200

Technical Data

Flow Range:	60-380 U.S. GPM	Temperature Range:	5°-250°(-15°121°C)
Minimum Pumping Rate:	25 U.S. GPM	Maximum Working Pressure:	175 PSI
Head Range:	44-72 FEET	Flanges:	3" ANSI 125 LB. F.F.
Motors:	ODP (STANDARD); TEFC (OPTIONAL)		