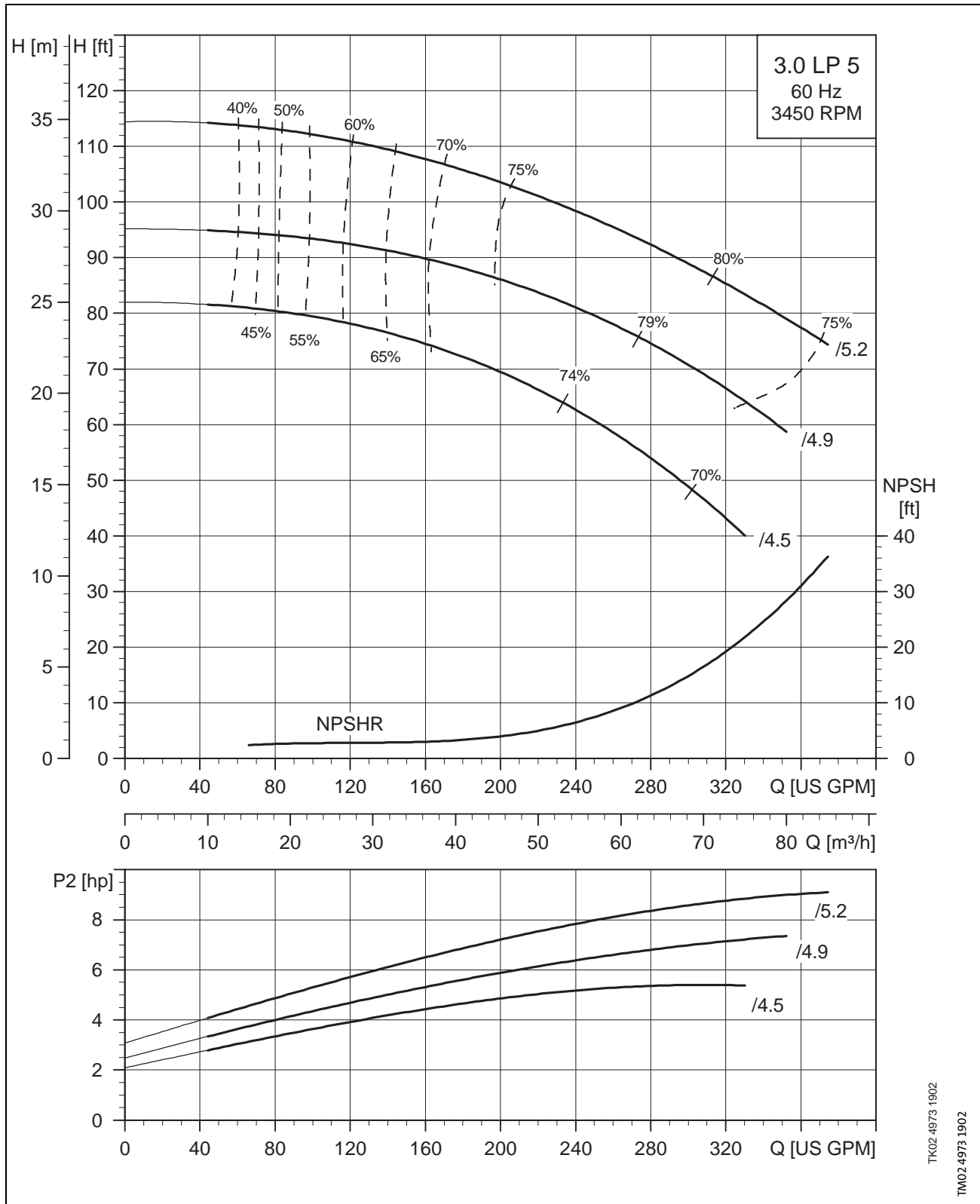
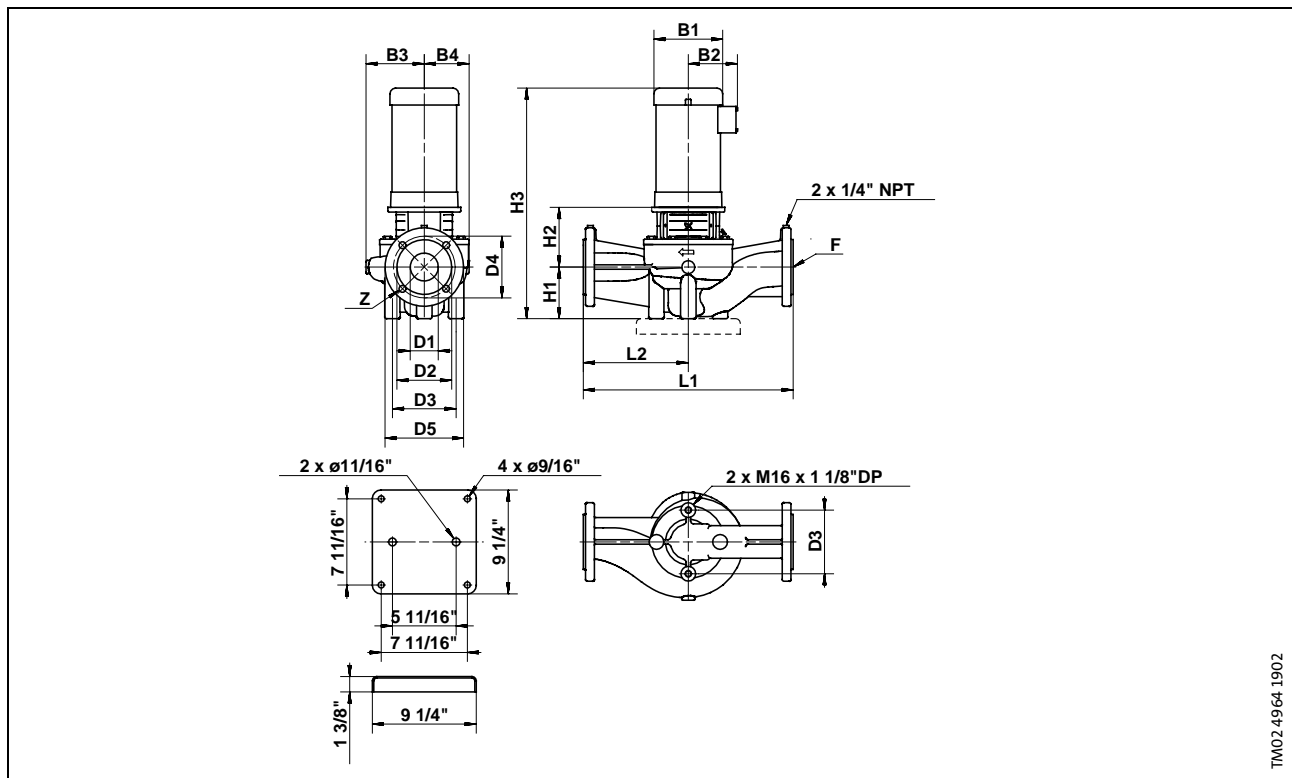


3.0 LP 5/XX



TK02 4973 1902
TM02 4973 1902

3.0 LP 5/XX



TM02 4964 1902

Electrical Data, Dimensions and Weights

Pump Type	HP	Mtr S.F.	PH	NEMA Frame Size	Volts	Dimensions [Inches] (mm)				Z [Qty.]	Dimensions [inches] (mm)								Net Wt.	
						D1	D3	D4	D5		B1	B2	B3	B4	H1	H2	H3	L1		L2
3.0 LP 5/4.5	5.0	1.15	1	213TC	208-230	3 (76)	5 11/16 (145)	6 (152)	7 1/2 (191)	4 x 5/8 4x(16)	10 1/4	7 3/8	6 1/4 (159)	4 7/8 (124)	5 1/8 (130)	6 (152)	27 1/4	21 (533)	10 1/2 (267)	194
	5.0	1.15	3	184TC	208-230/460,575	3 (76)	5 11/16 (145)	6 (152)	7 1/2 (191)	4 x 5/8 4x(16)	8 1/2	5 7/8	6 1/4 (159)	4 7/8 (124)	5 1/8 (130)	6 (152)	25 1/16	21 (533)	10 1/2 (267)	163
3.0 LP 5/4.9	7.5	1.15	1	213TC	208	3 (76)	5 11/16 (145)	6 (152)	7 1/2 (191)	4 x 5/8 4x(16)	10 1/4	7 3/8	6 1/4 (159)	4 7/8 (124)	5 1/8 (130)	7 15/16 (202)	28 11/16	21 (533)	10 1/2 (267)	208
	7.5	1.15	3	215TC	208-230/460,575	3 (76)	5 11/16 (145)	6 (152)	7 1/2 (191)	4 x 5/8 4x(16)	8 1/2	5 7/8	6 1/4 (159)	4 7/8 (124)	5 1/8 (130)	7 15/16 (202)	27	21 (533)	10 1/2 (267)	190
3.0 LP 5/5.2	10	1.15	1	215TC	230	3 (76)	5 11/16 (145)	6 (152)	7 1/2 (191)	4 x 5/8 4x(16)	10 1/4	7 3/8	6 1/4 (159)	4 7/8 (124)	5 1/8 (130)	7 15/16 (202)	29 3/4	21 (533)	10 1/2 (267)	222
	10	1.15	3	215TC	208-230/460,575	3 (76)	5 11/16 (145)	6 (152)	7 1/2 (191)	4 x 5/8 4x(16)	10 1/4	7 3/8	6 1/4 (159)	4 7/8 (124)	5 1/8 (130)	7 15/16 (202)	28 5/8	21 (533)	10 1/2 (267)	192

Technical Data

Flow Range:	66-370 U.S. GPM	Temperature Range:	5°-250°(-15°-121°C)
Minimum Pumping Rate:	25 U.S. GPM	Maximum Working Pressure:	175 PSI
Head Range:	38-114 FEET	Flanges:	3" ANSI 125 LB. F.F.
Motors:	ODP (STANDARD); TEFC (OPTIONAL)		