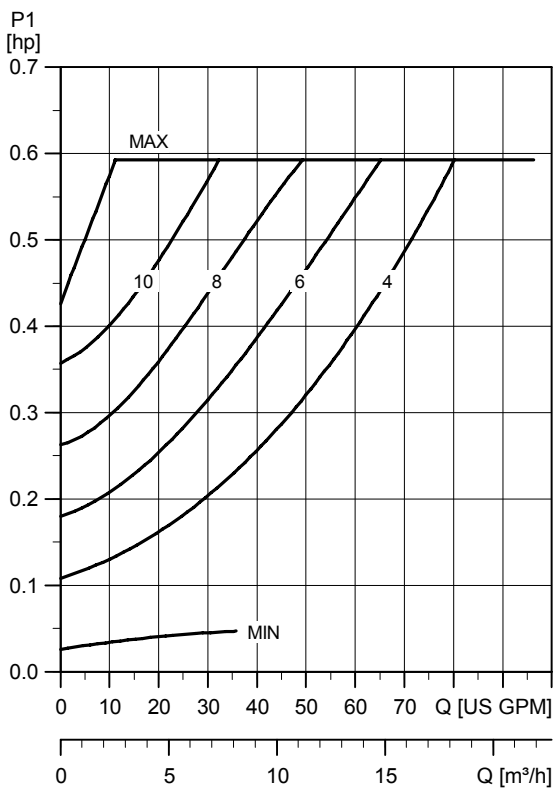
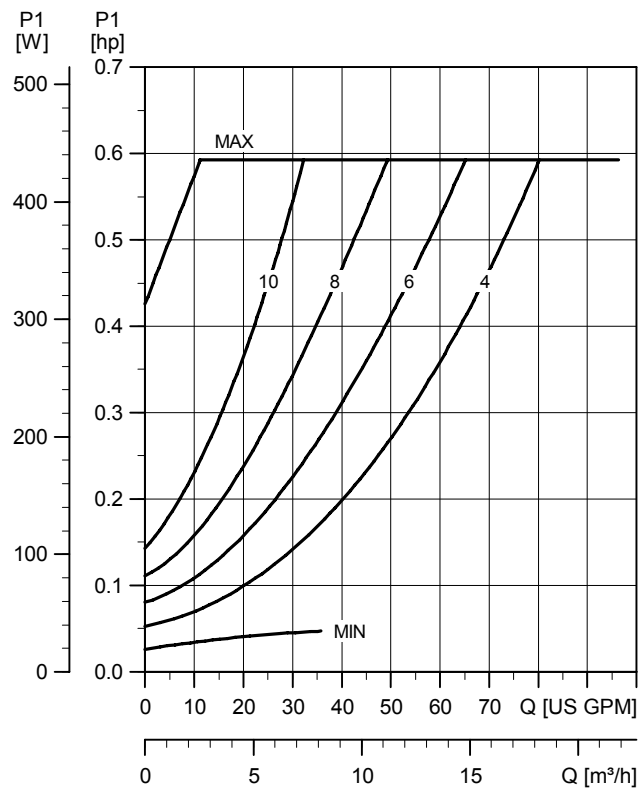
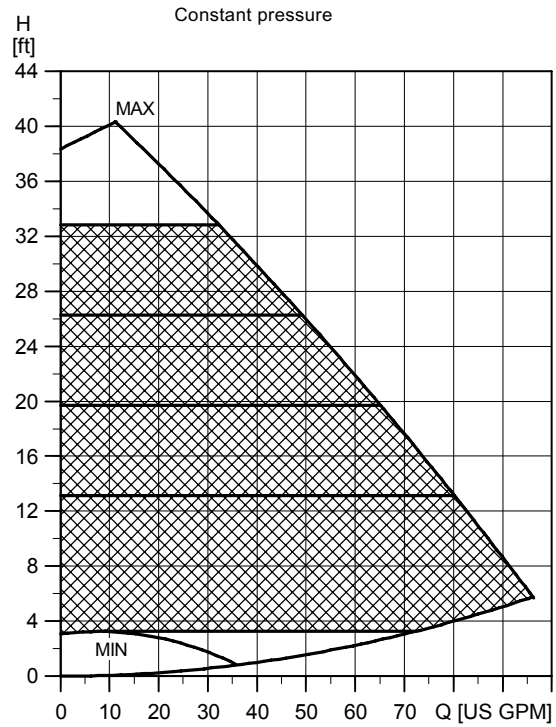
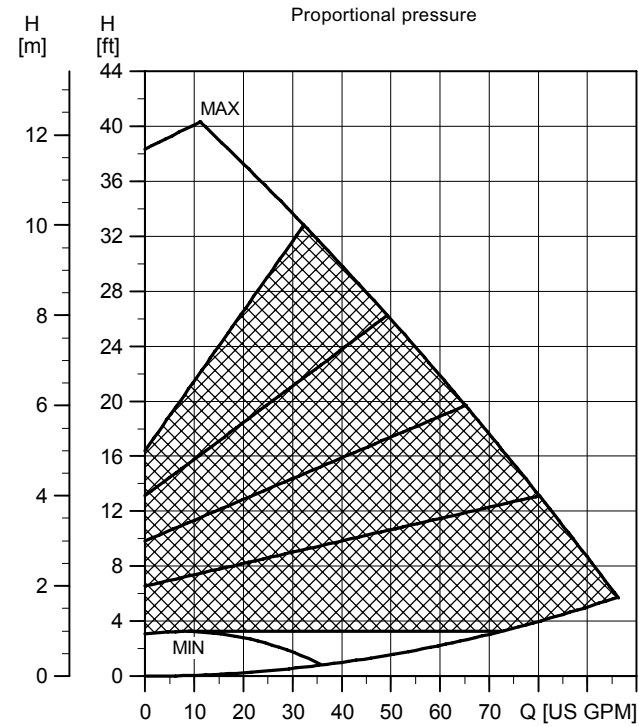


# Performance curves/ technical data

MAGNA 40-120 F

## MAGNA 40-120 F



TM03 8793 2507

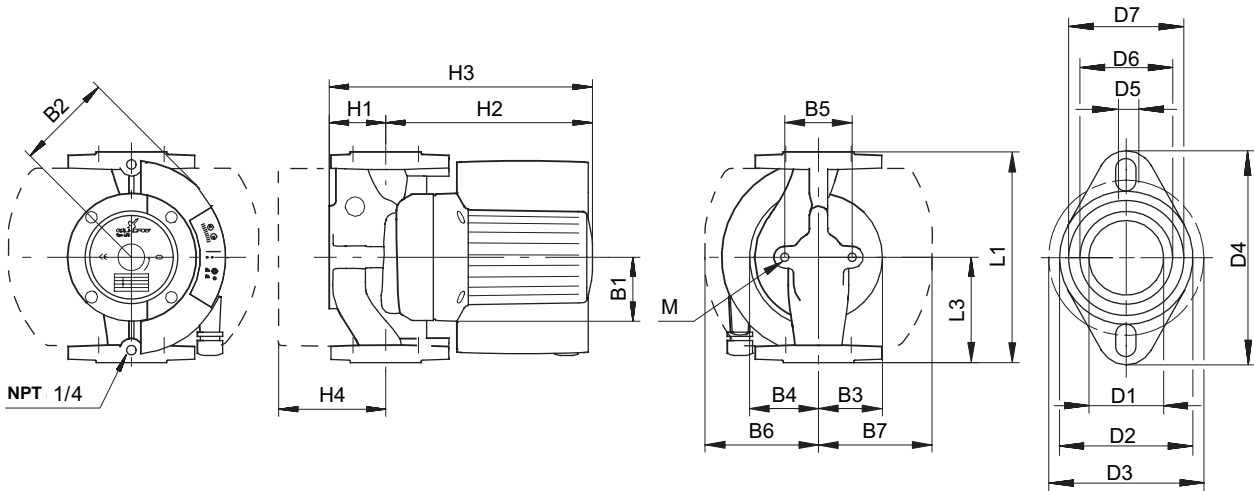
# Performance curves/ technical data

MAGNA 40-120 F

## Electrical data

$U_n$ [V]		$P_1$ [W]	$I_{l1}$ [A]
1 x 230 V	Min.	25	0.17
	Max.	450	2.0

MAGNA 40-120 F is also available with stainless-steel housing, type N.



## Dimensions and weights

Pump type	Dimensions [mm]																
	L1	L3	B1	B2	B3	B4	B5	B6	B7	H1	H2	H3	H4	D1	D2	D3	
MAGNA 40-120 F	[in]	8 1/2	4 1/4	3 1/16	4 1/2	2 15/16	3 1/8	3 3/4*	5 1/2	4 5/16	2 11/16	9 1/2	12 3/16	3 3/4	1 9/16	2 15/16	3 1/8 or 3 7/16
	[mm]	216	108	77	115	75	80	96*	140	110	68	242	310	96	40	75	80 or 87

Pump type	Dimensions [mm]					
	D4	D5	D6	D7	M	
MAGNA 40-120 F	[in]	4 3/4	1/2	1 15/16	2 3/8	M12
	[mm]	120	12	49	60	

\* Stainless steel pump housing 3 1/8 [in]/80 [mm]

## Weights

Pump type	Weights [lb/kg]	
	Net	Gross
MAGNA 40-120 F	34/15.5	38/17.5