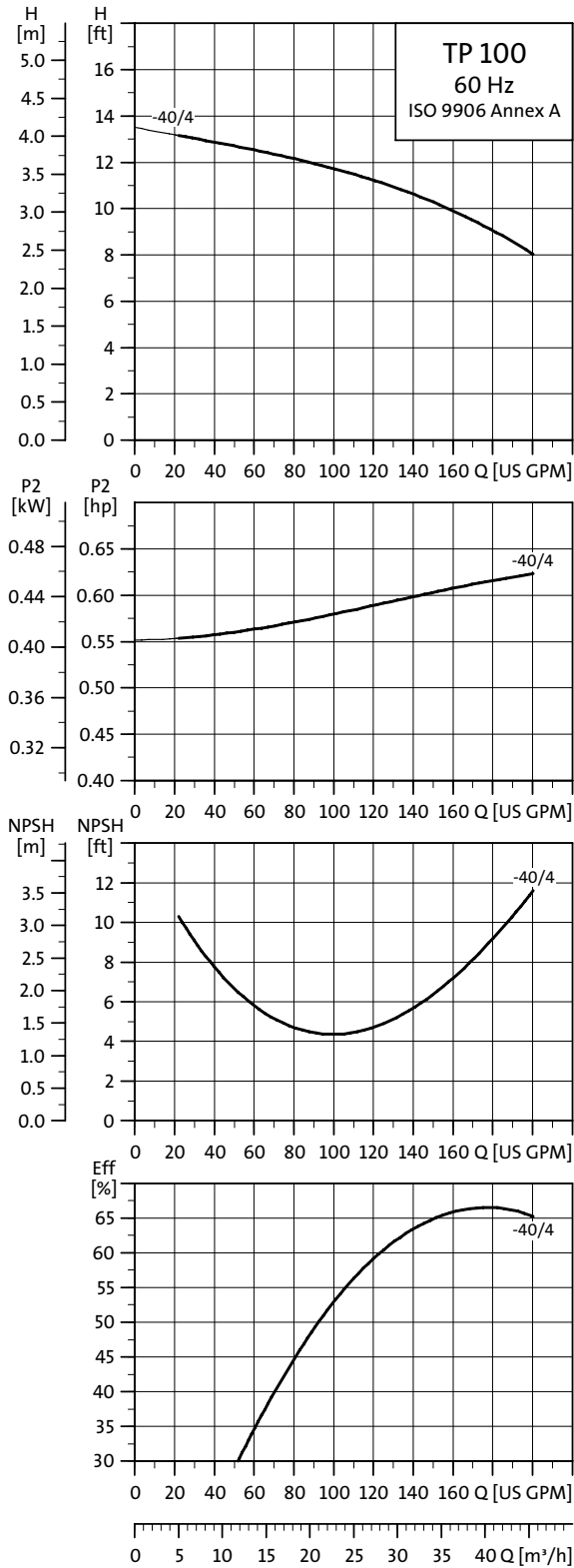
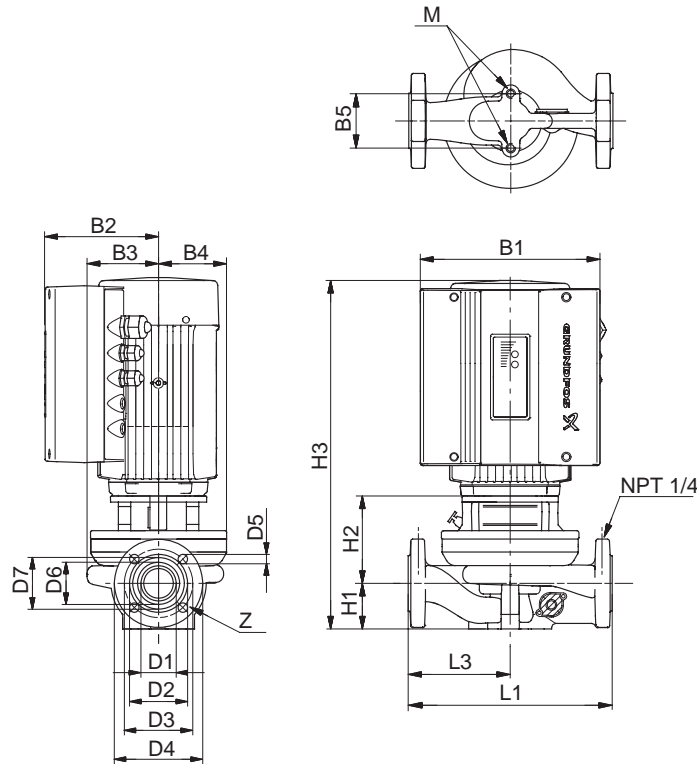


TP 100-XX/4



TMD2 5065 3206



TM03 3669 0606

Technical data

Pump type	TPE 100-40/4	
Motor Type	NEMA 56C	
P2 [HP] / Max Speed [RPM]	1.0	1690
Motor Flange	56C	
Flange Type	3" ANSI 125lb..RF.	
D1 [Inch] / [mm]	4 3/16	105
D2 [Inch] / [mm]	6 3/16	157
D3 [Inch] / [mm]	7 9/16	191
D4 [Inch] / [mm]	9 1/16	229
D5 [Inch] / [mm]	3/4	19
B1 [Inch] / [mm]	5 9/16	141
B2 [Inch] / [mm]	5 1/2	140
B3 [Inch] / [mm]	5 1/8	130
B4 [Inch] / [mm]	3 15/16	100
B5 [Inch] / [mm]	6 5/16	160
H1 [Inch] / [mm]	4 13/16	122
H2 [Inch] / [mm]	7 7/16	188.2
H3 [Inch] / [mm]	21	533.2
L1 [Inch] / [mm]	21	533.4
L3 [Inch] / [mm]	10 1/2	266.7
M	M16	
Net Weigt [lbs] / [kg]	154	69.9
Gross Weigt [lbs] / [kg]	156	70.8