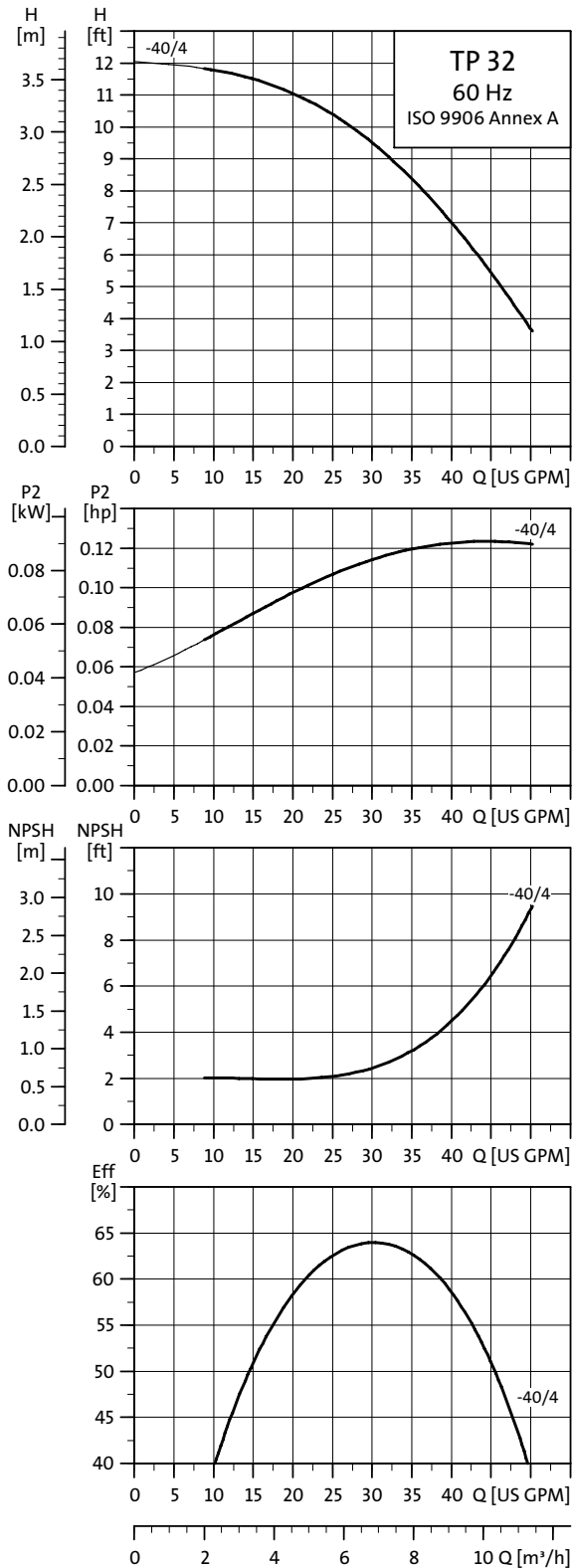
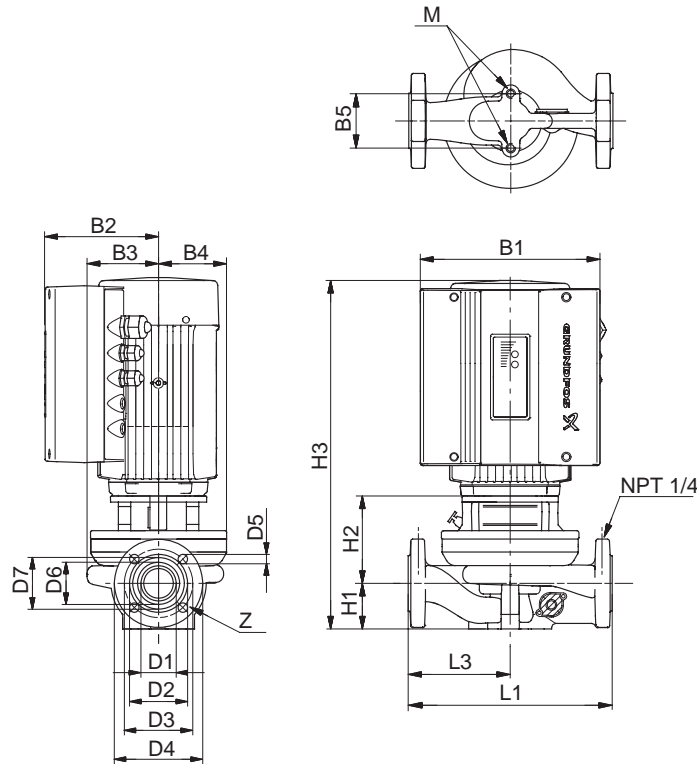


TP 32-XX/4



TM02.5558.3206



TM03 3669 0606

Technical data

Pump type	TPE 32-40/4	
Motor Type	NEMA 56C	
P2 [HP] / Max Speed [RPM]	0.33	1690
Motor Flange	56C	
Flange Type	US (1)	US
D1 [Inch] / [mm]	1 7/16	35.9
D2 [Inch] / [mm]	2 9/16	64
D3 [Inch] / [mm]	3 9/16	89
D4 [Inch] / [mm]	4 5/8	117
D5 [Inch] / [mm]	11/16	16
D6 [Inch] / [mm]	1 13/16	46
D7 [Inch] / [mm]	2 1/4	57
B1 [Inch] / [mm]	5 9/16	141
B2 [Inch] / [mm]	5 1/2	140
B3 [Inch] / [mm]	3	75
B4 [Inch] / [mm]	3	75
B5 [Inch] / [mm]	3 3/16	80
H1 [Inch] / [mm]	2 11/16	68
H2 [Inch] / [mm]	5 15/16	150.3
H3 [Inch] / [mm]	16 3/16	411.3
L1 [Inch] / [mm]	11	279.4
L3 [Inch] / [mm]	5 1/2	139.7
M	M12	
Net Weigt [lbs]/[kg]	58	26
Gross Weigt [lbs] / [kg]	61	27.7

(1) 1-1/4", 2 bolt with 5/8 dia. holes