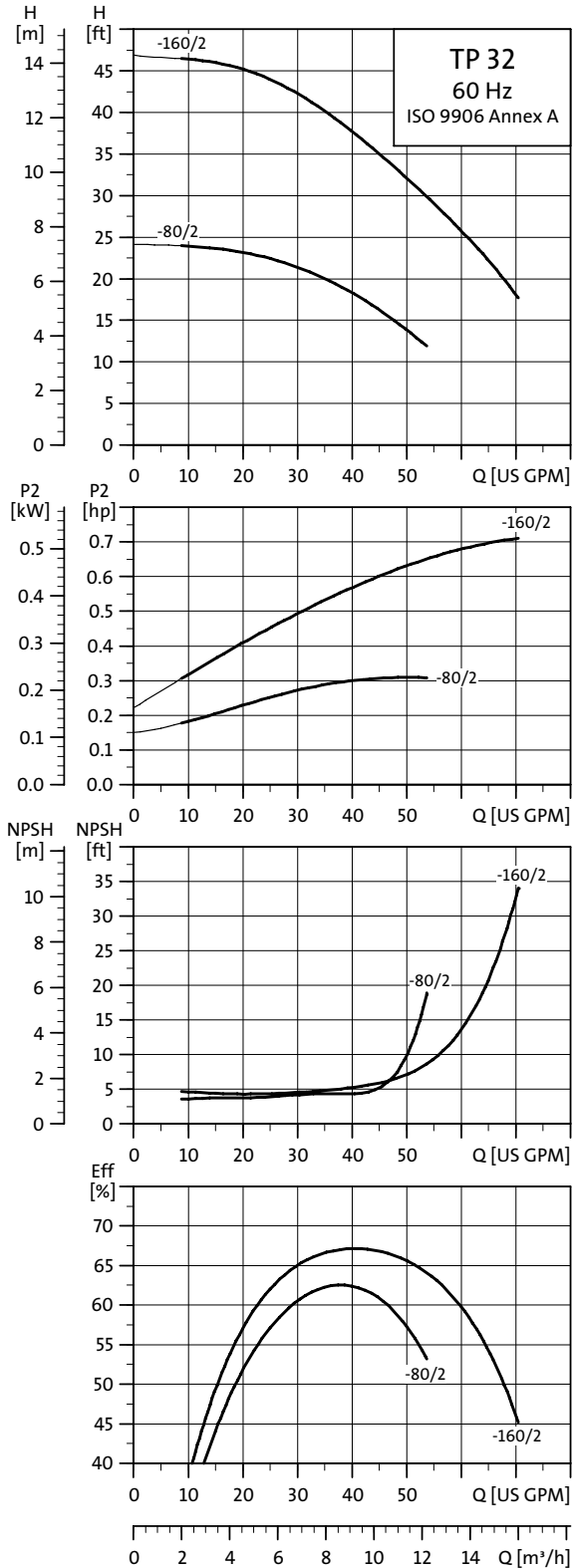
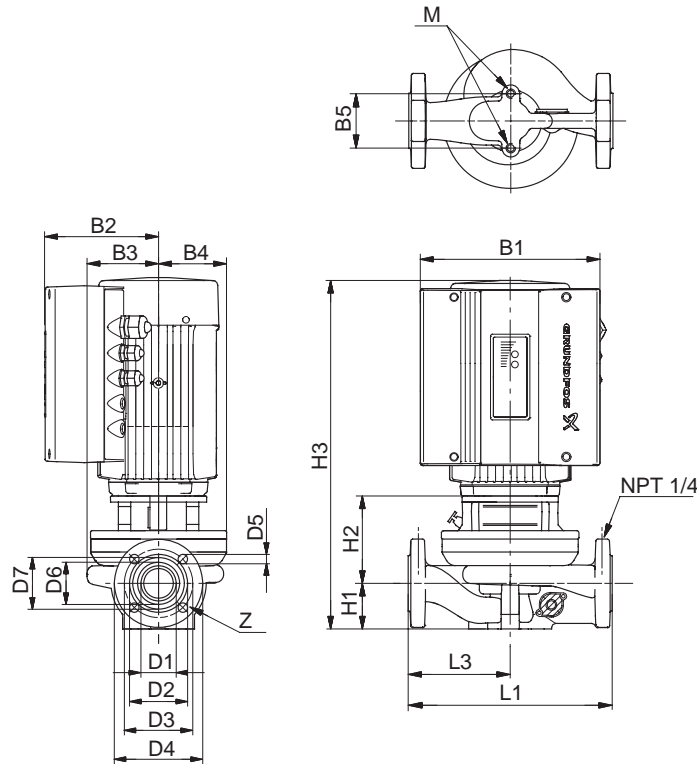


TP 32-XX/2



TM02 5553 3206



TM03 3669 0606

Technical data

Pump type	TPE 32-80/2		TPE 32-160/2	
	Motor Type	NEMA 56C		NEMA 56C
P2 [HP] / Max Speed [RPM]	0.50	3400	0.75	3400
Motor Flange	56C		56C	
Flange Type	US (1)		US (2)	
D1 [Inch] / [mm]	1 7/16	35.9	1 11/16	43
D2 [Inch] / [mm]	2 9/16	65	2 7/8	73
D3 [Inch] / [mm]	3 1/2	89	3 15/16	100
D4 [Inch] / [mm]	4 5/8	117	5	127
D5 [Inch] / [mm]	5/8	16	11/16	16
D6 [Inch] / [mm]	1 13/16	46	2 1/16	52
D7 [Inch] / [mm]	2 1/4	57	2 9/16	65
B1 [Inch] / [mm]	5 9/16	141	5 9/16	141
B2 [Inch] / [mm]	5 1/2	140	5 1/2	140
B3 [Inch] / [mm]	3	75	3	75
B4 [Inch] / [mm]	3	75	3	75
B5 [Inch] / [mm]	3 3/16	80	3	75
H1 [Inch] / [mm]	2 11/16	68	2 11/16	68
H2 [Inch] / [mm]	5 13/16	147.6	5 7/8	148.4
H3 [Inch] / [mm]	16 1/16	408.6	16 1/8	409.4
L1 [Inch] / [mm]	11	279.4	13 1/2	343
L3 [Inch] / [mm]	5 1/2	139.7	6 3/4	171
M	M12		M12	
Net Weight [lbs]/[kg]	60	27	65	29
Gross Weight [lbs] / [kg]	63	28.6	68	30.8

(1) 1-1/4", 2 bolt with 5/8 dia. holes

(2) 1-1/2", 2 bolt with 5/8 dia. holes