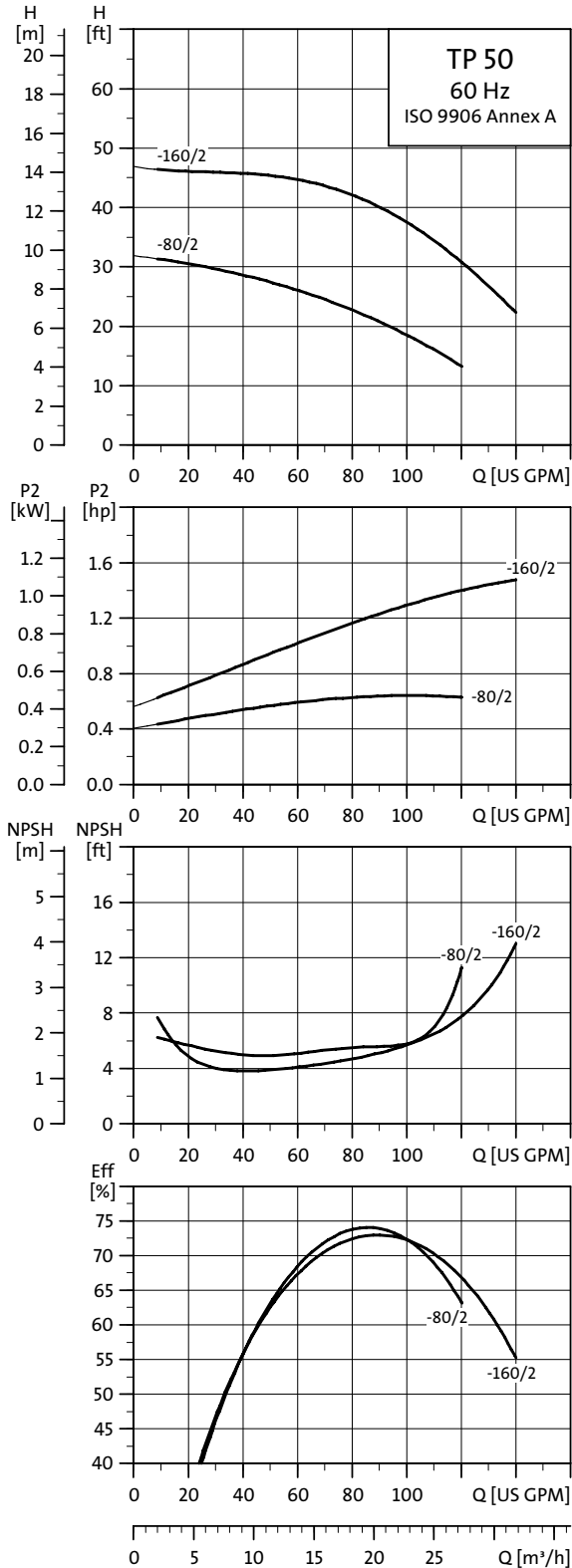
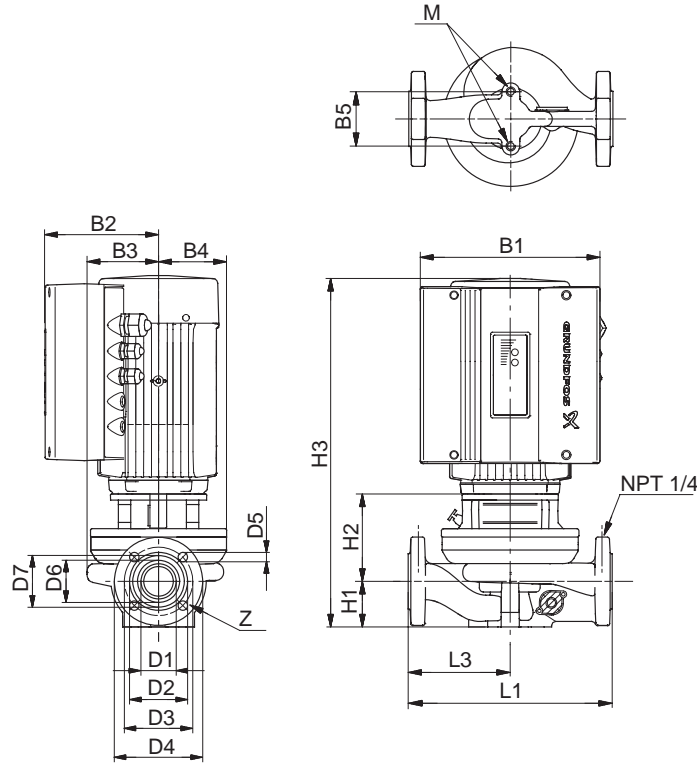


TP 50-XX/2



TM02 5555 3206



TM03 3669 0606

Technical data

Pump type	TPE 50-80/2		TPE 50-160/2	
	NEMA 56C		NEMA 56C	
Motor Type	NEMA 56C		NEMA 56C	
P2 [HP] / Max Speed [RPM]	0.75	3400	1.5	3400
Motor Flange	56C		56C	
Flange Type	US (1)		US (1)	
D1 [Inch] / [mm]	2 1/8	54	2 1/8	53
D2 [Inch] / [mm]	3 7/16	87	3 7/16	87
D3 [Inch] / [mm]	4 1/16	103	4 1/16	103
D4 [Inch] / [mm]	5 1/4	133	5 1/4	133
D5 [Inch] / [mm]	5/8	14.3	5/8	14.3
D6 [Inch] / [mm]	2 1/2	64	2 1/2	64
D7 [Inch] / [mm]	3 1/8	78	3 1/8	78
B1 [Inch] / [mm]	5 9/16	141	5 9/16	141
B2 [Inch] / [mm]	5 1/2	140	5 1/2	140
B3 [Inch] / [mm]	3 3/4	95	3 15/16	100
B4 [Inch] / [mm]	3	76	3 15/16	100
B5 [Inch] / [mm]	4 3/4	121	4 3/4	121
H1 [Inch] / [mm]	3	76	3 1/4	82
H2 [Inch] / [mm]	6 3/16	157	5 15/16	149.9
H3 [Inch] / [mm]	16 3/4	426	17 15/16	454.9
L1 [Inch] / [mm]	11 1/2	292	14	355.6
L3 [Inch] / [mm]	5 3/4	146	7	177.8
M	M12	M12	M12	M12
Net Weigt [lbs]/[kg]	78	35	83	38
Gross Weigt [lbs] / [kg]	81	36.7	86	39

(1) 2", 4 bolt with (4) 9/16" dia. holes