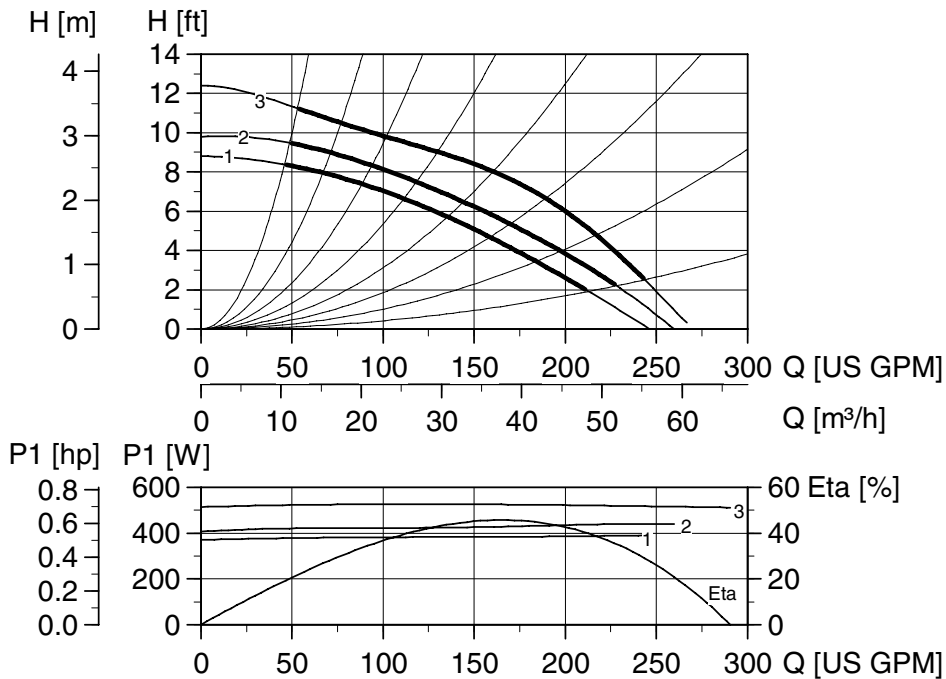


# Performance curves

UPS 100-40/4  
3 phase 208-230 V, 460 V, 575 V★, 60 Hz

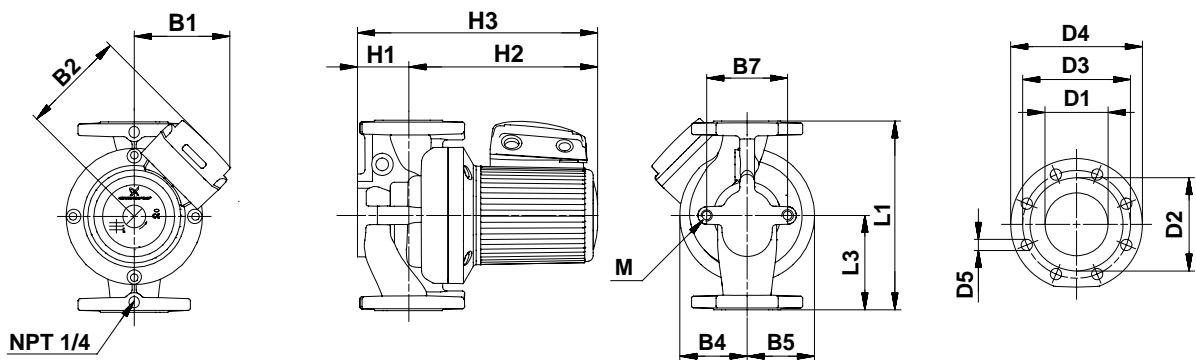
## Performance curves



Note: ETA is calculated as wire-to-water efficiency.

## Weights and volume

	Cast Iron				Bronze			
	lbs.	ft <sup>3</sup>	Kg	m <sup>3</sup>	lbs.	ft <sup>3</sup>	Kg	m <sup>3</sup>
Net weight	126.8		57.5		153.2		69.5	
Gross weight	138.9		63		165.3		75.	
Shipping volume		3.53		0.1		3.53		0.1



## Dimensions

	L1	L3	B1	B2	B4	B5	B7	H1	H2	H3	D1	D2	D3	D4	D5	M
[Inches]	21	10 1/2	5 3/4	6 11/16	5 1/8	3 15/16	6 5/16	4 13/16	12 5/16	16 9/16	4 3/16	6 3/16	7 1/2	9 1/16	3/4	
[mm]	533.4	266.7	145	169	130	100	160	122	313	421	105	157	191	229	19	M16

★ Canada only