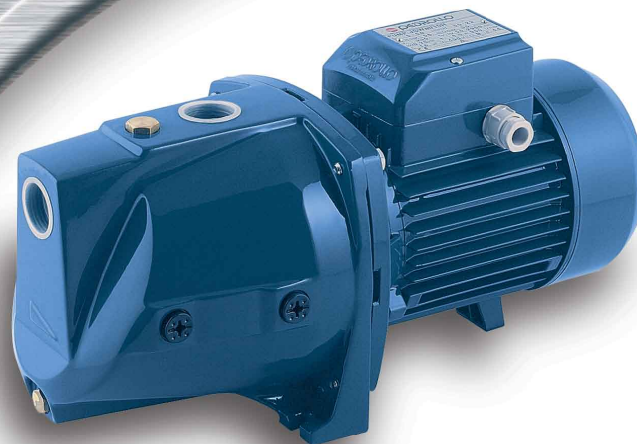


JSW

cast iron "Shallow Well"
self-priming jet pumps

Robust and efficient pump with
a Cast Iron and Alluminium
combination.
Perfect Pump for Residential
Sprinkler Systems.



RANGE OF PERFORMANCE

Capacity up to 39.5 gpm
Head up to 86 ft

LIMITS OF USE

Manometric suction lift up to 29 ft
Liquid temperature up to + 104°F
Environment temperature up to + 104°F

CONSTRUCTION AND SAFETY STANDARDS

EN 60 335-1 EN 60034-1
IEC 335-1 IEC 34-1
CEI 61-150 CEI 2-3



INSTALLATION AND USE

They are recommended for pumping clean water and liquids that are chemically non aggressive to the materials from which the pump is made.

JSW SELF-PRIMING PUMPS ARE DESIGNED FOR SUCTION LIFTS AND CAN BE POSITIONED ABOVE THE WATER SOURCE, INCLUDING APPLICATIONS WITH AIR ENTRAINED IN THE WATER. DUE TO THEIR RELIABILITY AND LOW MAINTENANCE, THEY ARE RECOMMENDED FOR RESIDENTIAL USE, INCLUDING WATER DISTRIBUTION (AS PART OF A PRESSURE SET), GARDEN IRRIGATION, ETC.

It is recommended to install the pumps in enclosed places, or at least protected against inclement weather.

GUARANTEE 2 YEAR subject to our general terms of sale.

CONSTRUCTION CHARACTERISTICS

- **PUMP BODY:** cast iron, with threaded ports.
- **BODY BACK-PLATE:** stainless steel AISI 304.
- **EJECTOR ASSEMBLY:** technopolymer.
- **IMPELLER:** technopolymer up to 1 HP.
- **MOTOR SHAFT:** stainless steel EN 10088-3 - 1.4104.
- **MECHANICAL SEAL:** ceramic - graphite -NBR.
- **ELECTRIC MOTOR:** the pumps are close-coupled to a carefully matched PEDROLLO electric motor, quiet running, totally enclosed fan cooled (TEFC), suitable for continuous duty.

JSW: single-phase 115 V or 230 V - 60 Hz with capacitor and thermal overload protector.

- **INSULATION:** class F. • **PROTECTION:** IP 44.
- **REGISTERED MODEL n° 72753.**

OPTIONS ON REQUEST

- other voltages or frequency 50 Hz



tech.support (954) 474 9090



www.pedrollousa.com



customerservice@pedrollousa.com

JSW 05 - 1/2 Hp

Suction Lift Depth (feet)	Discharge Pressure - PSI				Max Shut OFF PSI
	30	40	50	60	
	Discharge Capacity US GPM				
5	12	8	5	2	70
10	11	6.5	4	1.5	68
15	10.5	6.5	3.5	1	65.5
20	8.5	5.5	3	0.5	62.5
25	8	5	2.5		61.5

JSWH 07- 3/4 Hp

Suction Lift Depth (feet)	Discharge Pressure - PSI				Max Shut OFF PSI
	30	40	50	60	
	Discharge Capacity US GPM				
5	14	13	8.5	6	80
10	13	12	8	5	78
15	12	11	7	4	76
20	10	9	6	3	74
25	9	7	5	2	72

JSWH 10 - 1 Hp

Suction Lift Depth (feet)	Discharge Pressure - PSI				Max Shut OFF PSI
	30	40	50	60	
	Discharge Capacity US GPM				
5	14	14	12	9	102
10	13.5	13.5	10	7.5	100
15	13	13	9.8	7	98
20	13	12.5	9	6.5	96
25	12	11	8	6	94

JSW 07- 3/4 Hp

Suction Lift Depth (feet)	Discharge Pressure - PSI				Max Shut OFF PSI
	30	40	50	60	
	Discharge Capacity US GPM				
5	21	20	7	2	65
10	18.5	11	6.5	1.5	63
15	16.2	10	5.3		61
20	14.9	8	2.9		59
25	7.2	5.5	1.5		57

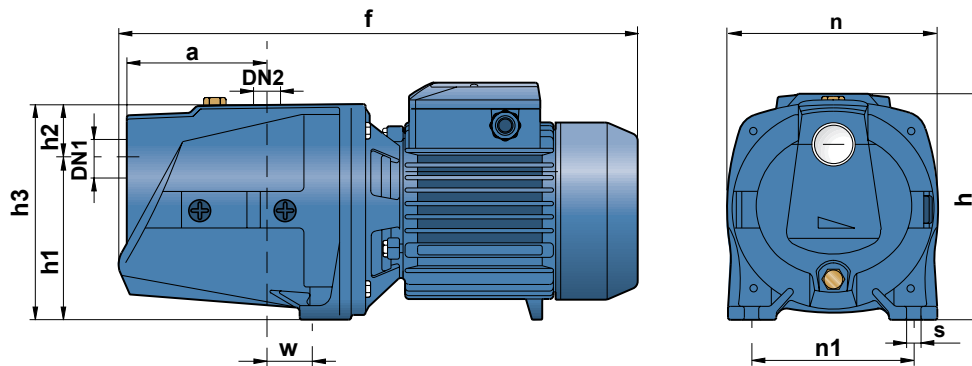
JSW 10 - 1 Hp

Suction Lift Depth (feet)	Discharge Pressure - PSI				Max Shut OFF PSI
	30	40	50	60	
	Discharge Capacity US GPM				
5	22	21	15.8	10	79
10	22	21	14.5	8.5	77
15	21	20	12.6	7.2	75
20	20	18.5	10.5	5	73
25	20	18	10.3	4	71

JSWQ 15 - 1/2 Hp

Suction Lift Depth (feet)	Discharge Pressure - PSI				Max Shut OFF PSI
	30	40	50	60	
	Discharge Capacity US GPM				
5	40	30	18	12	74
10	40	29	16.5	10.5	72
15	39.5	28.5	14.5	9	70
20	39.5	28.5	12	8.5	68
25	39.5	28.5	11.5	8	66

DIMENSIONS AND WEIGHTS



MODEL	DISCH		DIMENSIONS INCHES										LBS		
	1 PH	DN1	DN2	a	f	h	h1	h2	h3	n	n1	w	s	1~	3~
JSW 05	1"	1"	4.5	15.2/14.9	6.7	5.0	1.3	6.3	6.3	6.3	4.9	0.4	0.4	22.1	22.5
JSW 07	1"	1"	4.5	15.8	7.9	5.8	1.4	7.2	7.1	7.1	5.6	0.9	0.4	30.3	30.5
JSWH 07	1"	1"	4.5	15.8	7.9	5.8	1.4	7.2	7.1	7.1	5.6	0.9	0.4	30.3	30.5
JSW 10	1"	1"	4.5	15.8	7.9	5.8	1.4	7.2	7.1	7.1	5.6	0.9	0.4	33.2	30.5
JSWH 10	1"	1"	4.5	15.8	7.9	5.8	1.4	7.2	7.1	7.1	5.6	0.9	0.4	33.2	30.9
JSWQ 15	1 1/4"	1"	6.10	20.6	9.52	6.49	1.7	8.18	8.10	8.10	6.45	1.18	0.4	59.0	57.0